

Tartu XXV International Judo Tournament 16.04.2016 C-42

Competitors: 3

Competitors

#	Name	Grade	Club	1	2	3	Wins	Pts	Pos
1	Robert PAPPEL	?	EST/Ookami				0	0	3
2	Anna Liisa NURM	?	EST/Do	10		10	2	20	1
3	Edvards BARBAKS	?	LAT/Rigas Judo Skola	10			1	10	2

Matches

Match	White			Blue	Result	Time
1	Robert PAPPEL	1	2	Anna Liisa NURM	0 - 10	0:00
2	Robert PAPPEL	1	3	Edvards BARBAKS	0 - 10	0:00
3	Anna Liisa NURM	2	3	Edvards BARBAKS	10 - 0	0:00

Results

Pos	Name
1	Anna Liisa NURM, EST/Do
2	Edvards BARBAKS, LAT/Rigas Judo Skola
3	Robert PAPPEL, EST/Ookami

Tartu XXV International Judo Tournament 16.04.2016 CB +70

Competitors: 1

Competitors

#	Name	Grade	Club	1	Wins	Pts	Pos
1	Eduard LADÕGIN	?	EST/Audentes		0	0	1

Matches

Match	White	Blue	Result	Time
-------	-------	------	--------	------

Results

Pos	Name
1	Eduard LADÕGIN, EST/Audentes

Tartu XXV International Judo Tournament 16.04.2016 CB -34

Competitors: 3

Competitors

#	Name	Grade	Club	1	2	3	Wins	Pts	Pos
1	Mikk VIERMANN	?	EST/Viru judo				0	0	3
2	Richard LEPP	?	EST/Võru REI	10		10	2	20	1
3	Otso SEPPÄLÄ	?	FIN/Maskun Tempo	10			1	10	2

Matches

Match	White		Blue		Result	Time
1	Mikk VIERMANN	1	2	Richard LEPP	0 - 10	0:00
2	Mikk VIERMANN	1	3	Otso SEPPÄLÄ	0 - 10	0:00
3	Richard LEPP	2	3	Otso SEPPÄLÄ	10 - 0	0:00

Results

Pos	Name
1	Richard LEPP, EST/Võru REI
2	Otso SEPPÄLÄ, FIN/Maskun Tempo
3	Mikk VIERMANN, EST/Viru judo

Tartu XXV International Judo Tournament 16.04.2016 CB -38

Competitors: 4

Competitors

#	Name	Grade	Club	1	2	3	4	Wins	Pts	Pos
1	Artjom KANASKIN	?	EST/Budolinn			10		1	10	3
2	Rene ALTOSAR	?	EST/Budolinn	10		10		2	20	2
3	Kaspar GUTMANN	?	EST/Tartu DO					0	0	4
4	Kirill POSTOL	?	EST/Ookami	5	1	10		3	16	1

Matches

Match	White		Blue		Result	Time
1	Artjom KANASKIN	1	2	Rene ALTOSAR	0 - 10	0:00
2	Kaspar GUTMANN	3	4	Kirill POSTOL	0 - 10	0:00
3	Artjom KANASKIN	1	3	Kaspar GUTMANN	10 - 0	0:00
4	Rene ALTOSAR	2	4	Kirill POSTOL	0 - 1	0:00
5	Artjom KANASKIN	1	4	Kirill POSTOL	0 - 5	0:00
6	Rene ALTOSAR	2	3	Kaspar GUTMANN	10 - 0	0:00

Results

Pos	Name
1	Kirill POSTOL, EST/Ookami
2	Rene ALTOSAR, EST/Budolinn
3	Artjom KANASKIN, EST/Budolinn
4	Kaspar GUTMANN, EST/Tartu DO

Tartu XXV International Judo Tournament 16.04.2016 CB -46

Competitors: 5

Competitors

#	Name	Grade	Club	1	2	3	4	5	Wins	Pts	Pos
1	Gregor PILT	?	EST/Viru judo			10		10	2	20	3
2	Rasmus TALTS	?	EST/Ookami	7		10	7	10	4	34	1
3	Arturs OSIPOVS	?	LAT/Singitaj					10	1	10	4
4	Ilja DELJANSKI	?	EST/Mikado	1		10		10	3	21	2
5	Holger TIISMUS	?	EST/DO						0	0	5

Matches

Match	White		Blue		Result	Time
1	Ilja DELJANSKI	4	5	Holger TIISMUS	10 - 0	0:00
2	Gregor PILT	1	2	Rasmus TALTS	0 - 7	0:00
3	Arturs OSIPOVS	3	4	Ilja DELJANSKI	0 - 10	0:00
4	Gregor PILT	1	5	Holger TIISMUS	10 - 0	0:00
5	Rasmus TALTS	2	3	Arturs OSIPOVS	10 - 0	0:00
6	Gregor PILT	1	4	Ilja DELJANSKI	0 - 1	0:00
7	Arturs OSIPOVS	3	5	Holger TIISMUS	10 - 0	0:00
8	Rasmus TALTS	2	4	Ilja DELJANSKI	7 - 0	0:00
9	Gregor PILT	1	3	Arturs OSIPOVS	10 - 0	0:00
10	Rasmus TALTS	2	5	Holger TIISMUS	10 - 0	0:00

Results

Pos	Name
1	Rasmus TALTS, EST/Ookami
2	Ilja DELJANSKI, EST/Mikado
3	Gregor PILT, EST/Viru judo
4	Arturs OSIPOVS, LAT/Singitaj
5	Holger TIISMUS, EST/DO

Tartu XXV International Judo Tournament 16.04.2016 CB -50

Competitors: 4

Competitors

#	Name	Grade	Club	1	2	3	4	Wins	Pts	Pos
1	Argo MÄGI	?	EST/sk zen		10	10	10	3	30	1
2	Andreas KENTS	?	EST/Ookami					0	0	4
3	Nikita LIZUNOVS	?	LAT/Singitaj		10			1	10	3
4	Ats PRANGLI	?	EST/Ookami		10	10		2	20	2

Matches

Match	White	Blue	Result	Time
1	Argo MÄGI	1 2 Andreas KENTS	10 - 0	0:00
2	Nikita LIZUNOVS	3 4 Ats PRANGLI	0 - 10	0:00
3	Argo MÄGI	1 3 Nikita LIZUNOVS	10 - 0	0:00
4	Andreas KENTS	2 4 Ats PRANGLI	0 - 10	0:00
5	Argo MÄGI	1 4 Ats PRANGLI	10 - 0	0:00
6	Andreas KENTS	2 3 Nikita LIZUNOVS	0 - 10	0:00

Results

Pos	Name
1	Argo MÄGI, EST/sk zen
2	Ats PRANGLI, EST/Ookami
3	Nikita LIZUNOVS, LAT/Singitaj
4	Andreas KENTS, EST/Ookami

Competitors A

#	Name	Grade	Club	1	2	3	Wins	Pts	Pos
1	Konstantin SEMJONOV	?	EST/Dodze				0	0	3
2	Stefan TEMNIKOV	?	Budolinn	10		10	2	20	1
3	Karl Johannes PILT	?	EST/Do	10			1	10	2

Matches A

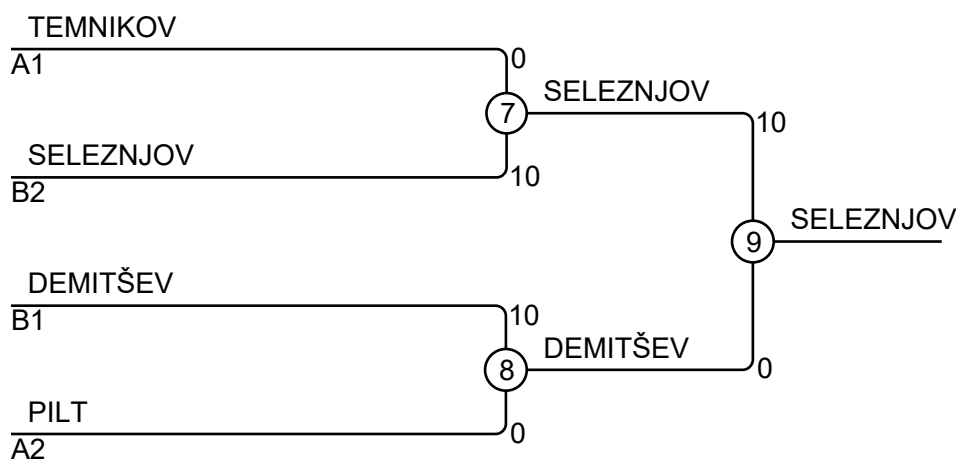
Match	White	Blue	Result	Time
1	Konstantin SEMJONOV 1 2	Stefan TEMNIKOV	0 - 10	0:00
3	Konstantin SEMJONOV 1 3	Karl Johannes PILT	0 - 10	0:00
5	Stefan TEMNIKOV 2 3	Karl Johannes PILT	10 - 0	0:00

Competitors B

#	Name	Grade	Club	4	5	6	Wins	Pts	Pos
4	Ivan SELEZNJOV	?	EST/Buffen-do			10	1	10	2
5	Edgar DEMITŠEV	?	EST/Dodze	10		10	2	20	1
6	Marten VINGISAAR	?	EST/Ookami				0	0	3

Matches B

Match	White	Blue	Result	Time
2	Ivan SELEZNJOV 4 5	Edgar DEMITŠEV	0 - 10	0:00
4	Ivan SELEZNJOV 4 6	Marten VINGISAAR	10 - 0	0:00
6	Edgar DEMITŠEV 5 6	Marten VINGISAAR	10 - 0	0:00



Results

Pos	Name
1	Ivan SELEZNJOV, EST/Buffen-do
2	Edgar DEMITŠEV, EST/Dodze
3	Stefan TEMNIKOV, Budolinn
3	Karl Johannes PILT, EST/Do

Tartu XXV International Judo Tournament 16.04.2016 CB -62

Competitors: 3

Competitors

#	Name	Grade	Club	1	2	3	Wins	Pts	Pos
1	Rainis RAJA	?	EST/Võru REI				0	0	3
2	Konstantinos MURÕTSEV	?	EST/Budolinn	10			1	10	2
3	Martin OTTAS	?	EST/Do	10	10		2	20	1

Matches

Match	White		Blue		Result	Time
1	Rainis RAJA	1	2	Konstantinos MURÕTSEV	0 - 10	0:00
2	Rainis RAJA	1	3	Martin OTTAS	0 - 10	0:00
3	Konstantinos MURÕTSEV	2	3	Martin OTTAS	0 - 10	0:00

Results

Pos	Name
1	Martin OTTAS, EST/Do
2	Konstantinos MURÕTSEV, EST/Budolinn
3	Rainis RAJA, EST/Võru REI

Tartu XXV International Judo Tournament 16.04.2016 CB -70

Competitors: 2

Competitors

#	Name	Grade	Club	1	2	1	2	1	2	Wins	Pts	Pos
1	Martin TOOTS	?	EST/Do		10		10			2	20	1
2	Eric BELSNER	?	EST/Bufferen-do							0	0	2

Matches

Match	White		Blue	Result	Time	
1	Martin TOOTS	1	2	Eric BELSNER	10 - 0	0:00
2	Martin TOOTS	1	2	Eric BELSNER	10 - 0	0:00
3	Martin TOOTS	1	2	Eric BELSNER		

Results

Pos	Name
1	Martin TOOTS, EST/Do
2	Eric BELSNER, EST/Bufferen-do

Tartu XXV International Judo Tournament 16.04.2016 CG -40

Competitors: 4

Competitors

#	Name	Grade	Club	1	2	3	4	Wins	Pts	Pos
1	Darja LIZUNOVA	?	LAT/Singitaj		10			1	10	3
2	Daniela SHADUROVA	?	LAT/Singitaj					0	0	4
3	Anna Liisa NURM	?	Do	10	10		10	3	30	1
4	Maria TARS	?	EST/Do	10	10			2	20	2

Matches

Match	White			Blue	Result	Time
1	Darja LIZUNOVA	1	2	Daniela SHADUROVA	10 - 0	0:00
2	Anna Liisa NURM	3	4	Maria TARS	10 - 0	0:00
3	Darja LIZUNOVA	1	3	Anna Liisa NURM	0 - 10	0:00
4	Daniela SHADUROVA	2	4	Maria TARS	0 - 10	0:00
5	Darja LIZUNOVA	1	4	Maria TARS	0 - 10	0:00
6	Daniela SHADUROVA	2	3	Anna Liisa NURM	0 - 10	0:00

Results

Pos	Name
1	Anna Liisa NURM, Do
2	Maria TARS, EST/Do
3	Darja LIZUNOVA, LAT/Singitaj
4	Daniela SHADUROVA, LAT/Singitaj

Tartu XXV International Judo Tournament 16.04.2016 CG -56

Competitors: 5

Competitors

#	Name	Grade	Club	1	2	3	4	5	Wins	Pts	Pos
1	Liza KOROBEINIKOVA	?	EST/Põhjakotkas		10	10	10		3	30	2
2	Anna Maria MILLEND	?	EST/Ookami			10	10		2	20	3
3	Anna MIROSNITSENKO	?	EST/Budolinn				10		1	10	4
4	Sandra ILVES	?	EST/Do						0	0	5
5	Kristina BRJAKINA	?	EST/Audentes	10	10	10	10		4	40	1

Matches

Match	White		Blue		Result	Time
1	Sandra ILVES	4	5	Kristina BRJAKINA	0 - 10	0:00
2	Liza KOROBEINIKOVA	1	2	Anna Maria MILLEND	10 - 0	0:00
3	Anna MIROSNITSENKO	3	4	Sandra ILVES	10 - 0	0:00
4	Liza KOROBEINIKOVA	1	5	Kristina BRJAKINA	0 - 10	0:00
5	Anna Maria MILLEND	2	3	Anna MIROSNITSENKO	10 - 0	0:00
6	Liza KOROBEINIKOVA	1	4	Sandra ILVES	10 - 0	0:00
7	Anna MIROSNITSENKO	3	5	Kristina BRJAKINA	0 - 10	0:00
8	Anna Maria MILLEND	2	4	Sandra ILVES	10 - 0	0:00
9	Liza KOROBEINIKOVA	1	3	Anna MIROSNITSENKO	10 - 0	0:00
10	Anna Maria MILLEND	2	5	Kristina BRJAKINA	0 - 10	0:00

Results

Pos	Name
1	Kristina BRJAKINA, EST/Audentes
2	Liza KOROBEINIKOVA, EST/Põhjakotkas
3	Anna Maria MILLEND, EST/Ookami
4	Anna MIROSNITSENKO, EST/Budolinn
5	Sandra ILVES, EST/Do

Tartu XXV International Judo Tournament 16.04.2016 CG -62

Competitors: 2

Competitors

#	Name	Grade	Club	1	2	1	2	1	2	Wins	Pts	Pos
1	Janelle HERMLIN	?	EST/Do		10		10			2	20	1
2	Valeria MAIORS	?	EST/Bufferen-do							0	0	2

Matches

Match	White		Blue	Result	Time	
1	Janelle HERMLIN	1	2	Valeria MAIORS	10 - 0	0:00
2	Janelle HERMLIN	1	2	Valeria MAIORS	10 - 0	0:00
3	Janelle HERMLIN	1	2	Valeria MAIORS		

Results

Pos	Name
1	Janelle HERMLIN, EST/Do
2	Valeria MAIORS, EST/Bufferen-do

Tartu XXV International Judo Tournament 16.04.2016 DB +50

Competitors: 4

Competitors

#	Name	Grade	Club	1	2	3	4	Wins	Pts	Pos
1	Taras GOLOSHCHUK	?	EST/Budolinn				10	1	10	3
2	Kabriel KIRNA	?	EST/Do	10		10	10	3	30	1
3	Rasmus TARASSOV	?	EST/Viru judo	10			10	2	20	2
4	Romet RAAD	?	EST/Saaremaa spordikool					0	0	4

Matches

Match	White		Blue		Result	Time
1	Taras GOLOSHCHUK	1	2	Kabriel KIRNA	0 - 10	0:00
2	Rasmus TARASSOV	3	4	Romet RAAD	10 - 0	0:00
3	Taras GOLOSHCHUK	1	3	Rasmus TARASSOV	0 - 10	0:00
4	Kabriel KIRNA	2	4	Romet RAAD	10 - 0	0:00
5	Taras GOLOSHCHUK	1	4	Romet RAAD	10 - 0	0:00
6	Kabriel KIRNA	2	3	Rasmus TARASSOV	10 - 0	0:00

Results

Pos	Name
1	Kabriel KIRNA, EST/Do
2	Rasmus TARASSOV, EST/Viru judo
3	Taras GOLOSHCHUK, EST/Budolinn
4	Romet RAAD, EST/Saaremaa spordikool

Tartu XXV International Judo Tournament 16.04.2016 DB -25

Competitors: 3

Competitors

#	Name	Grade	Club	1	2	3	Wins	Pts	Pos
1	Kaur Robert LEHTMETS	?	EST/sk zen		7	10	2	17	1
2	Andris PIIRIKIVI	?	EST/sk zen				0	0	3
3	Ramon MÄGI	?	EST/Saaremaa Spordikool	10			1	10	2

Matches

Match	White		Blue		Result	Time
1	Kaur Robert LEHTMETS	1	2	Andris PIIRIKIVI	7 - 0	0:00
2	Kaur Robert LEHTMETS	1	3	Ramon MÄGI	10 - 0	0:00
3	Andris PIIRIKIVI	2	3	Ramon MÄGI	0 - 10	0:00

Results

Pos	Name
1	Kaur Robert LEHTMETS, EST/sk zen
2	Ramon MÄGI, EST/Saaremaa Spordikool
3	Andris PIIRIKIVI, EST/sk zen

Tartu XXV International Judo Tournament 16.04.2016 DB -27

Competitors: 5

Competitors

#	Name	Grade	Club	1	2	3	4	5	Wins	Pts	Pos
1	Taaniel UIBOPUU	?	EST/DO		7				1	7	4
2	Siim MATSON	?	EST/sk zen						0	0	5
3	Marek PRUUNS	?	EST/Afina	10	10			5	3	25	2
4	Franz Steven SAARM	?	EST/Do	10	10	10		10	4	40	1
5	Joosep KALMUS	?	EST/Do	10	10				2	20	3

Matches

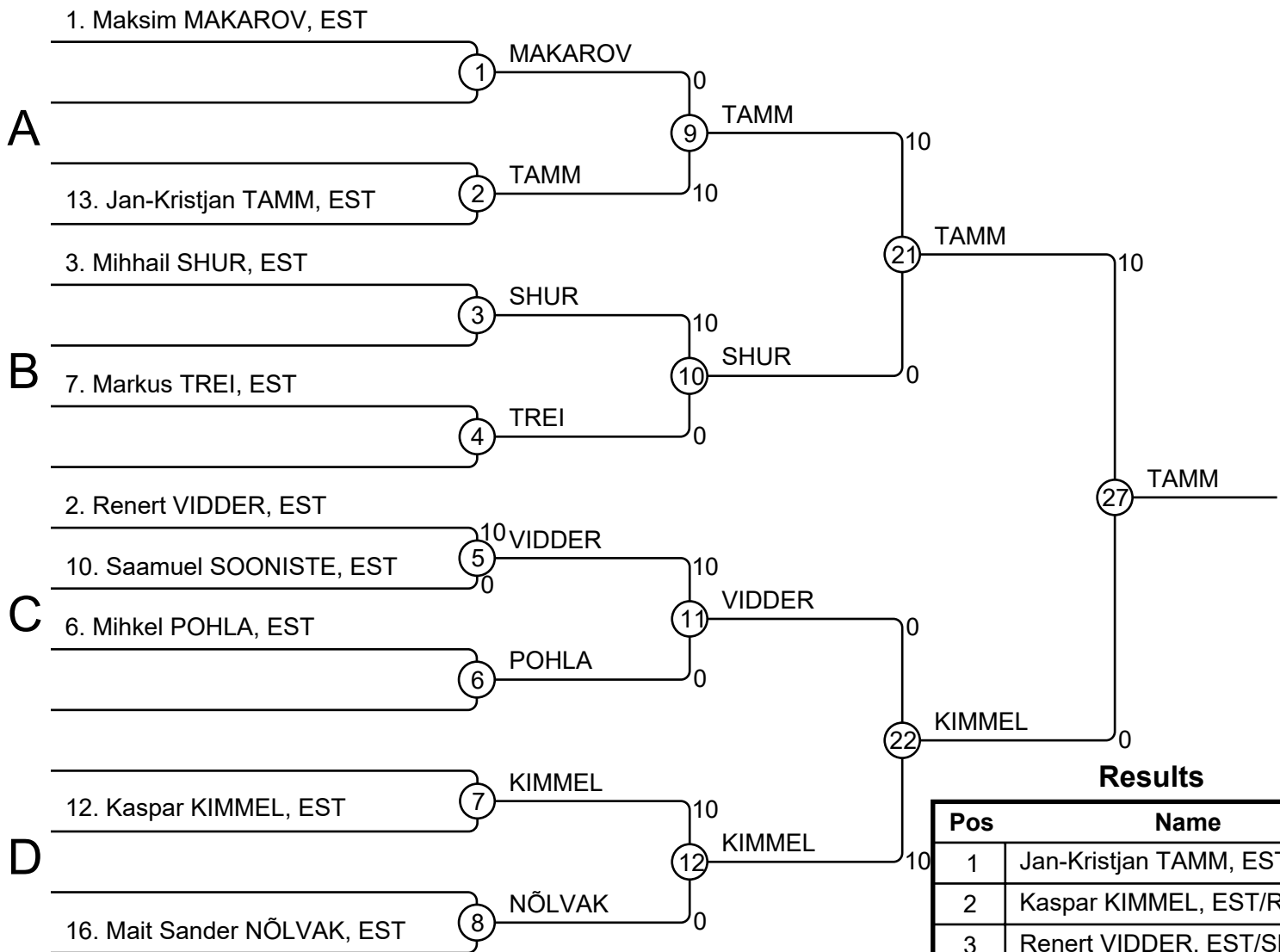
Match	White		Blue		Result	Time
1	Franz Steven SAARM	4	5	Joosep KALMUS	10 - 0	0:00
2	Taaniel UIBOPUU	1	2	Siim MATSON	7 - 0	0:00
3	Marek PRUUNS	3	4	Franz Steven SAARM	0 - 10	0:00
4	Taaniel UIBOPUU	1	5	Joosep KALMUS	0 - 10	0:00
5	Siim MATSON	2	3	Marek PRUUNS	0 - 10	0:00
6	Taaniel UIBOPUU	1	4	Franz Steven SAARM	0 - 10	0:00
7	Marek PRUUNS	3	5	Joosep KALMUS	5 - 0	0:00
8	Siim MATSON	2	4	Franz Steven SAARM	0 - 10	0:00
9	Taaniel UIBOPUU	1	3	Marek PRUUNS	0 - 10	0:00
10	Siim MATSON	2	5	Joosep KALMUS	0 - 10	0:00

Results

Pos	Name
1	Franz Steven SAARM, EST/Do
2	Marek PRUUNS, EST/Afina
3	Joosep KALMUS, EST/Do
4	Taaniel UIBOPUU, EST/DO
5	Siim MATSON, EST/sk zen

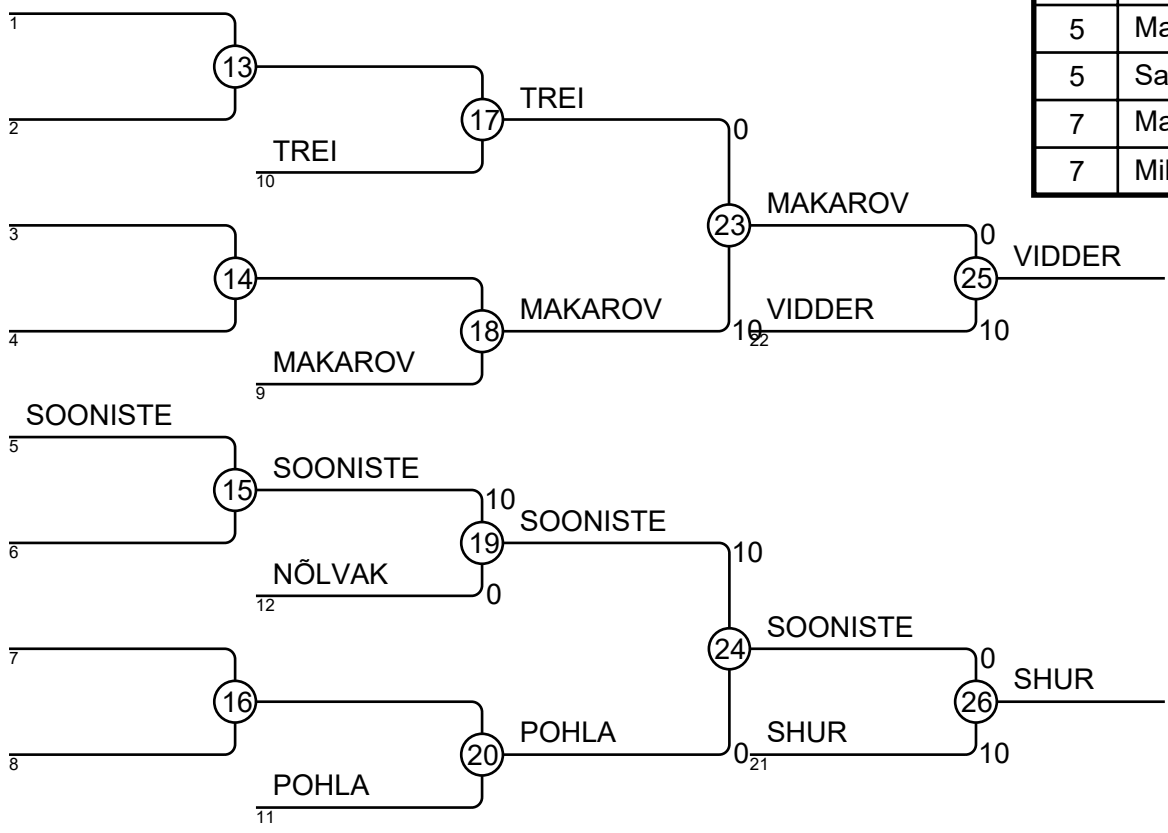
Tartu XXV International Judo Tournament 16.04.2016 DB -30

Competitors: 9



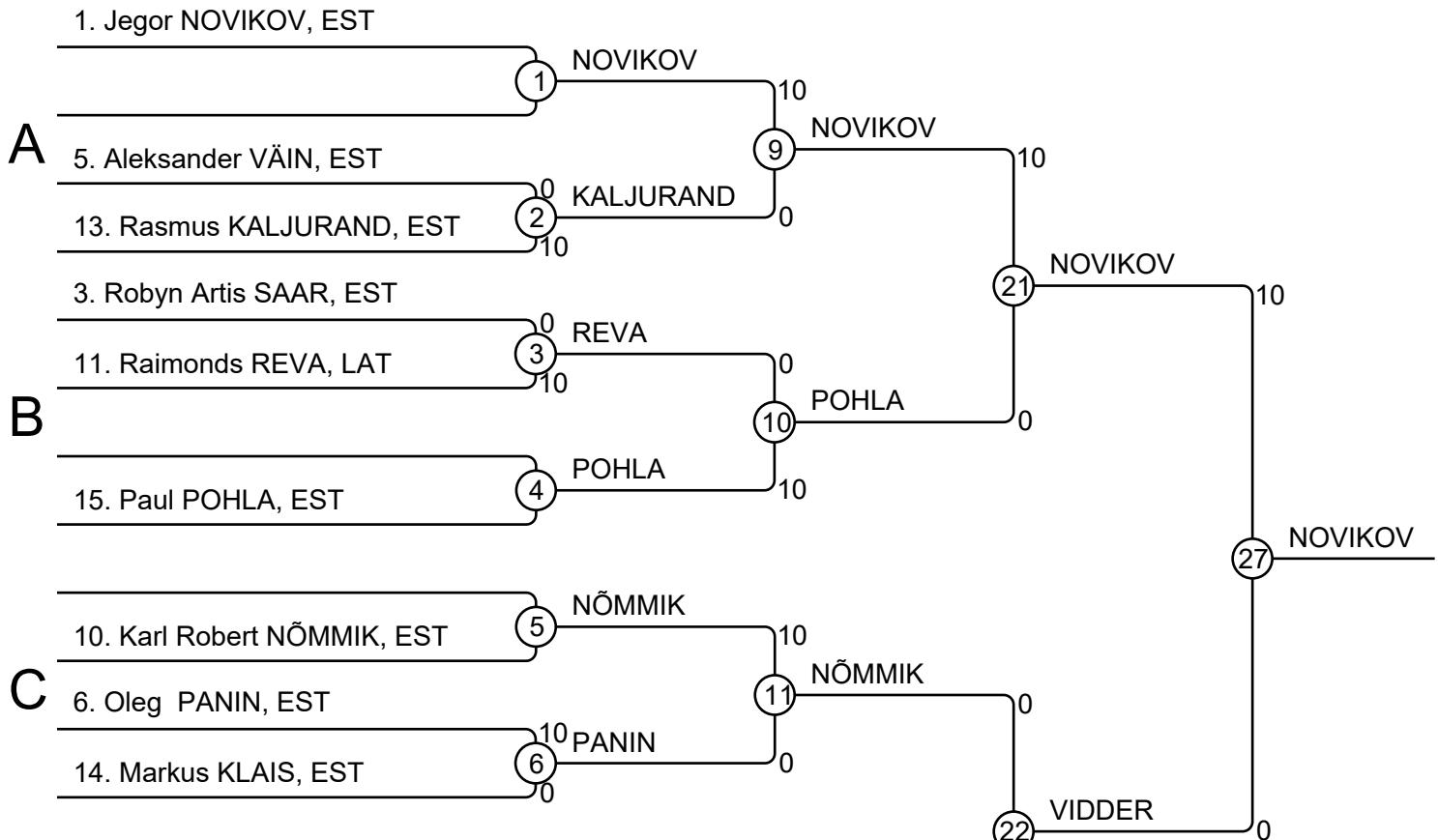
Results

Pos	Name
1	Jan-Kristjan TAMM, EST/SK Taifu
2	Kaspar KIMMEL, EST/Rõuge
3	Renert VIDDER, EST/SK Taifu
3	Mihhail SHUR, EST/Evail-Athletics
5	Maksim MAKAROV, EST/Dodze
5	Saamuel SOONISTE, EST/DO
7	Markus TREI, EST/Saaremaa Spordiliit
7	Mihkel POHLA, EST/Ookami



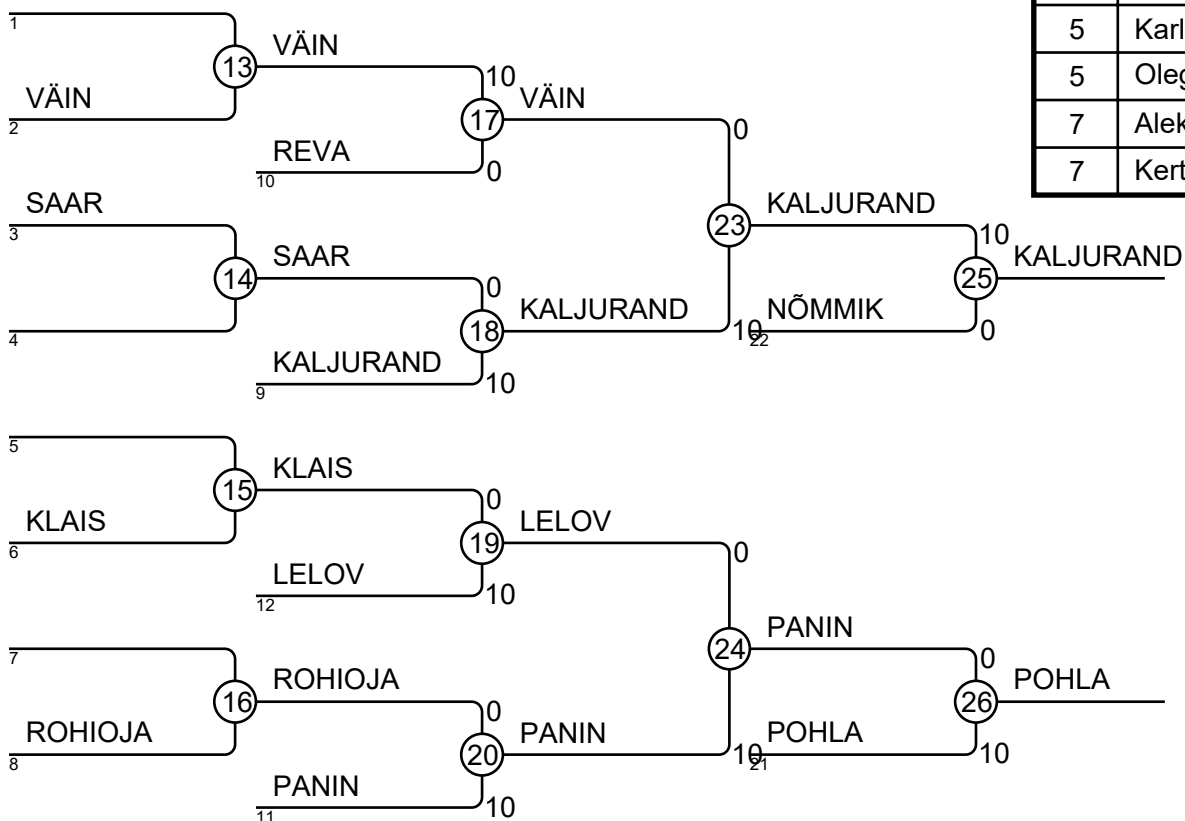
Tartu XXV International Judo Tournament 16.04.2016 DB -34

Competitors: 12



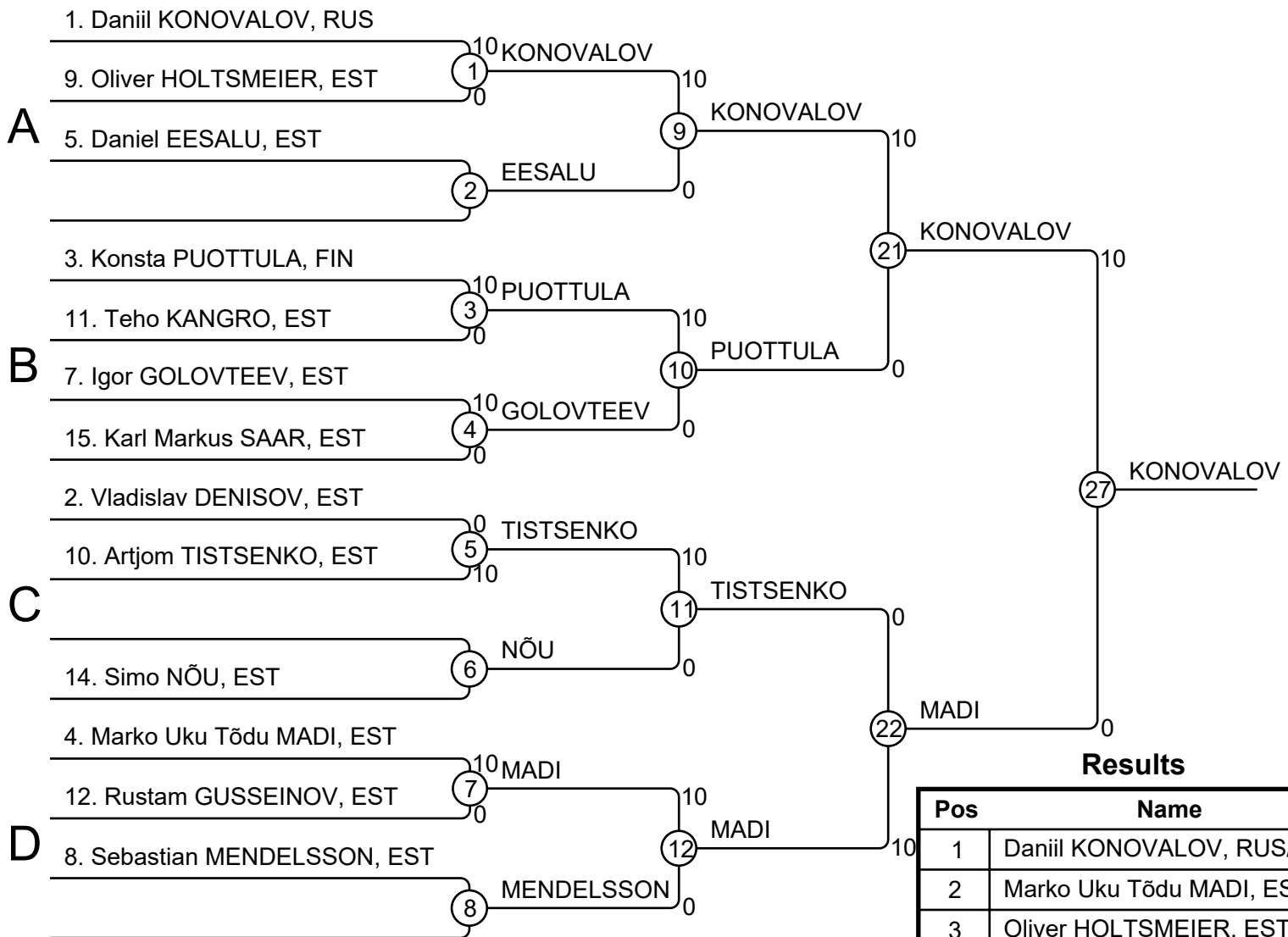
Results

Pos	Name
1	Jegor NOVIKOV, EST/Budolinn
2	Geron VIDDER, EST/SK Taifu
3	Rasmus KALJURAND, EST/SK Taifu
3	Paul POHLA, EST/Ookami
5	Karl Robert NÕMMIK, EST/Do
5	Oleg PANIN, EST/Põhjakotkas
7	Aleksander VÄIN, EST/Saaremaa sp
7	Kert LELOV, EST/Do



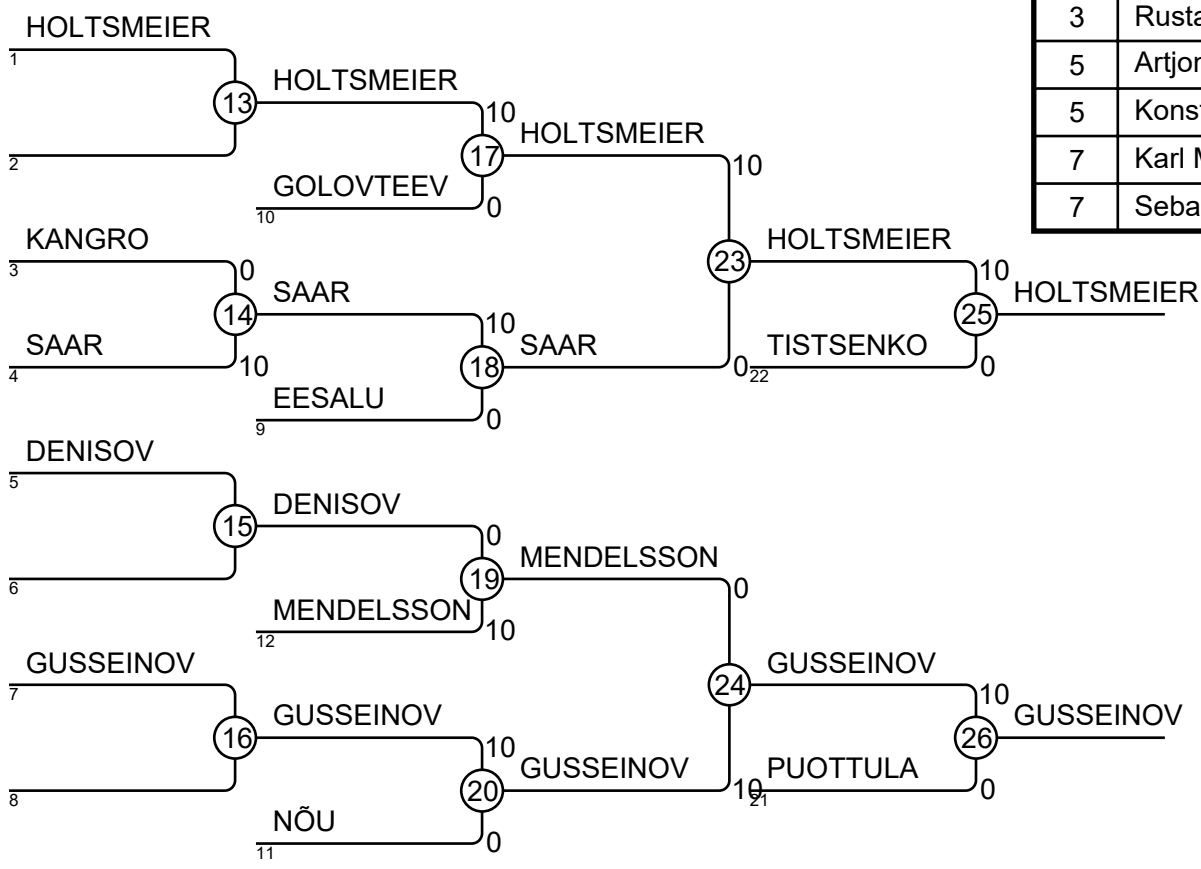
Tartu XXV International Judo Tournament 16.04.2016 DB -38

Competitors: 13



Results

Pos	Name
1	Daniil KONOVALOV, RUS/POOM4
2	Marko Uku Tõdu MADI, EST/Do
3	Oliver HOLTSMEIER, EST/Do
3	Rustam GUSSEINOV, EST/Dodze
5	Artjom TISTSENKO, EST/Afina
5	Konsta PUOTTULA, FIN/Maskun Ten
7	Karl Markus SAAR, EST/Do
7	Sebastian MENDELSSON, EST/Budo



Competitors

#	Name	Grade	Club	1	2	3	4	Wins	Pts	Pos
1	Rander PIIRITS	?	EST/Viru judo		10	10		2	20	2
2	Silver SARD	?	EST/Viru judo					0	0	4
3	Sergei PANOV	?	RUS/ПОСНЧ		1			1	1	3
4	Jari-Matti SALONEN	?	EST/Do	10	10	10		3	30	1

Matches

Match	White		Blue		Result	Time
1	Rander PIIRITS	1	2	Silver SARD	10 - 0	0:00
2	Sergei PANOV	3	4	Jari-Matti SALONEN	0 - 10	0:00
3	Rander PIIRITS	1	3	Sergei PANOV	10 - 0	0:00
4	Silver SARD	2	4	Jari-Matti SALONEN	0 - 10	0:00
5	Rander PIIRITS	1	4	Jari-Matti SALONEN	0 - 10	0:00
6	Silver SARD	2	3	Sergei PANOV	0 - 1	0:00

Results

Pos	Name
1	Jari-Matti SALONEN , EST/Do
2	Rander PIIRITS, EST/Viru judo
3	Sergei PANOV, RUS/ПОСНЧ
4	Silver SARD, EST/Viru judo

Competitors

#	Name	Grade	Club	1	2	3	Wins	Pts	Pos
1	Mihail PANIN	?	EST/Budolinn		7	1	2	8	1
2	Andres VILING	?	EST/Rõuge				0	0	3
3	Uku NEEME	?	EST/Do		10		1	10	2

Matches

Match	White		Blue		Result	Time
1	Mihail PANIN	1 2	Andres VILING		7 - 0	0:00
2	Mihail PANIN	1 3	Uku NEEME		1 - 0	0:00
3	Andres VILING	2 3	Uku NEEME		0 - 10	0:00

Results

Pos	Name
1	Mihail PANIN, EST/Budolinn
2	Uku NEEME, EST/Do
3	Andres VILING, EST/Rõuge

Competitors A

#	Name	Grade	Club	1	2	3	4	Wins	Pts	Pos
1	Ako Armin RAID	?	EST/sk zen				10	1	10	3
2	Kaarel HEINALO	?	EST/sk zen	10			10	2	20	2
3	Andrei POVODOV	?	EST/Budolinn	5	10		10	3	25	1
4	Rodion NOVITSKI	?	EST/Ookami					0	0	4

Matches A

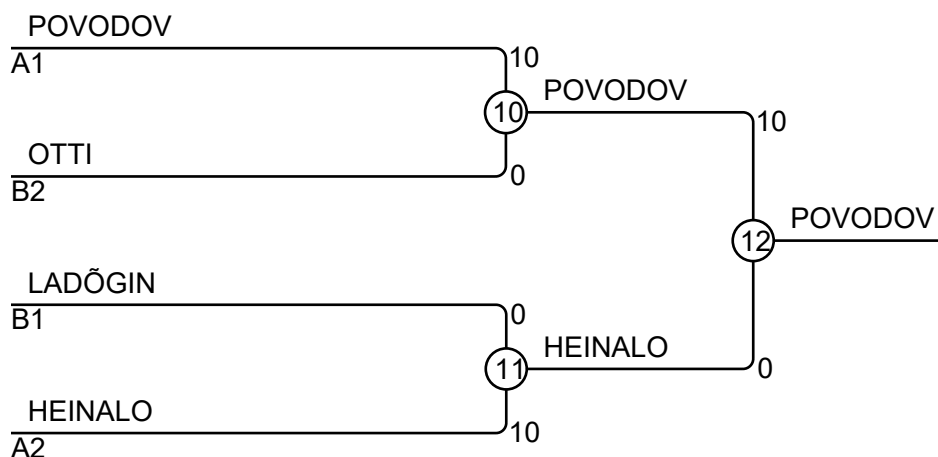
Match	White	Blue	Result	Time
1	Ako Armin RAID 1	Kaarel HEINALO 2	0 - 10	0:00
2	Andrei POVODOV 3	Rodion NOVITSKI 4	10 - 0	0:00
4	Ako Armin RAID 1	Andrei POVODOV 3	0 - 5	0:00
5	Kaarel HEINALO 2	Rodion NOVITSKI 4	10 - 0	0:00
7	Ako Armin RAID 1	Rodion NOVITSKI 4	10 - 0	0:00
8	Kaarel HEINALO 2	Andrei POVODOV 3	0 - 10	0:00

Competitors B

#	Name	Grade	Club	5	6	7	Wins	Pts	Pos
5	Markkus OTTI	?	EST/sk zen		10		1	10	2
6	Pavel JAKJAN	?	EST/Budolinn				0	0	3
7	Jevgeni LADÕGIN	?	EST/Audentes	7	10		2	17	1

Matches B

Match	White	Blue	Result	Time
3	Markkus OTTI 5	Pavel JAKJAN 6	10 - 0	0:00
6	Markkus OTTI 5	Jevgeni LADÕGIN 7	0 - 7	0:00
9	Pavel JAKJAN 6	Jevgeni LADÕGIN 7	0 - 10	0:00



Results

Pos	Name
1	Andrei POVODOV, EST/Budolinn
2	Kaarel HEINALO, EST/sk zen
3	Markkus OTTI, EST/sk zen
3	Jevgeni LADÕGIN, EST/Audentes

Competitors

#	Name	Grade	Club	1	2	3	4	Wins	Pts	Pos
1	Lisette ILVES	?	EST/Do					0	0	4
2	Marleen KOLTŠUK	?	EST/Saaremaa spordikool	10				1	10	3
3	Lisete OOL	?	EST/sk zen	7	10			2	17	2
4	Aljona SAZONOVA	?	EST/Buffen-do	10	10	10		3	30	1

Matches

Match	White	Blue	Result	Time
1	Lisette ILVES	1 2 Marleen KOLTŠUK	0 - 10	0:00
2	Lisete OOL	3 4 Aljona SAZONOVA	0 - 10	0:00
3	Lisette ILVES	1 3 Lisete OOL	0 - 7	0:00
4	Marleen KOLTŠUK	2 4 Aljona SAZONOVA	0 - 10	0:00
5	Lisette ILVES	1 4 Aljona SAZONOVA	0 - 10	0:00
6	Marleen KOLTŠUK	2 3 Lisete OOL	0 - 10	0:00

Results

Pos	Name
1	Aljona SAZONOVA, EST/Buffen-do
2	Lisete OOL, EST/sk zen
3	Marleen KOLTŠUK, EST/Saaremaa spordikool
4	Lisette ILVES, EST/Do

Tartu XXV International Judo Tournament 16.04.2016 DG -51

Competitors: 3

Competitors

#	Name	Grade	Club	1	2	3	Wins	Pts	Pos
1	Amina REBANE	?	EST/Dodze		1	10	2	11	1
2	Jekaterina BRJAKINA	?	EST/Audentes			10	1	10	2
3	Emma Viktoria MILLEND	?	EST/Ookami				0	0	3

Matches

Match	White		Blue		Result	Time
1	Amina REBANE	1	2	Jekaterina BRJAKINA	1 - 0	0:00
2	Amina REBANE	1	3	Emma Viktoria MILLEND	10 - 0	0:00
3	Jekaterina BRJAKINA	2	3	Emma Viktoria MILLEND	10 - 0	0:00

Results

Pos	Name
1	Amina REBANE, EST/Dodze
2	Jekaterina BRJAKINA, EST/Audentes
3	Emma Viktoria MILLEND, EST/Ookami

Tartu XXV International Judo Tournament 16.04.2016 EB +38

Competitors: 4

Competitors

#	Name	Grade	Club	1	2	3	4	Wins	Pts	Pos
1	Kristjan SOIDLA	?	EST/Viru judo		10		10	2	20	2
2	Pavel BABUTA	?	EST/Budolinn				10	1	10	3
3	Arnolds ARSENTJEVS	?	LAT/Rigas Judo Skola	10	5		10	3	25	1
4	Ralf KASK	?	EST/DO					0	0	4

Matches

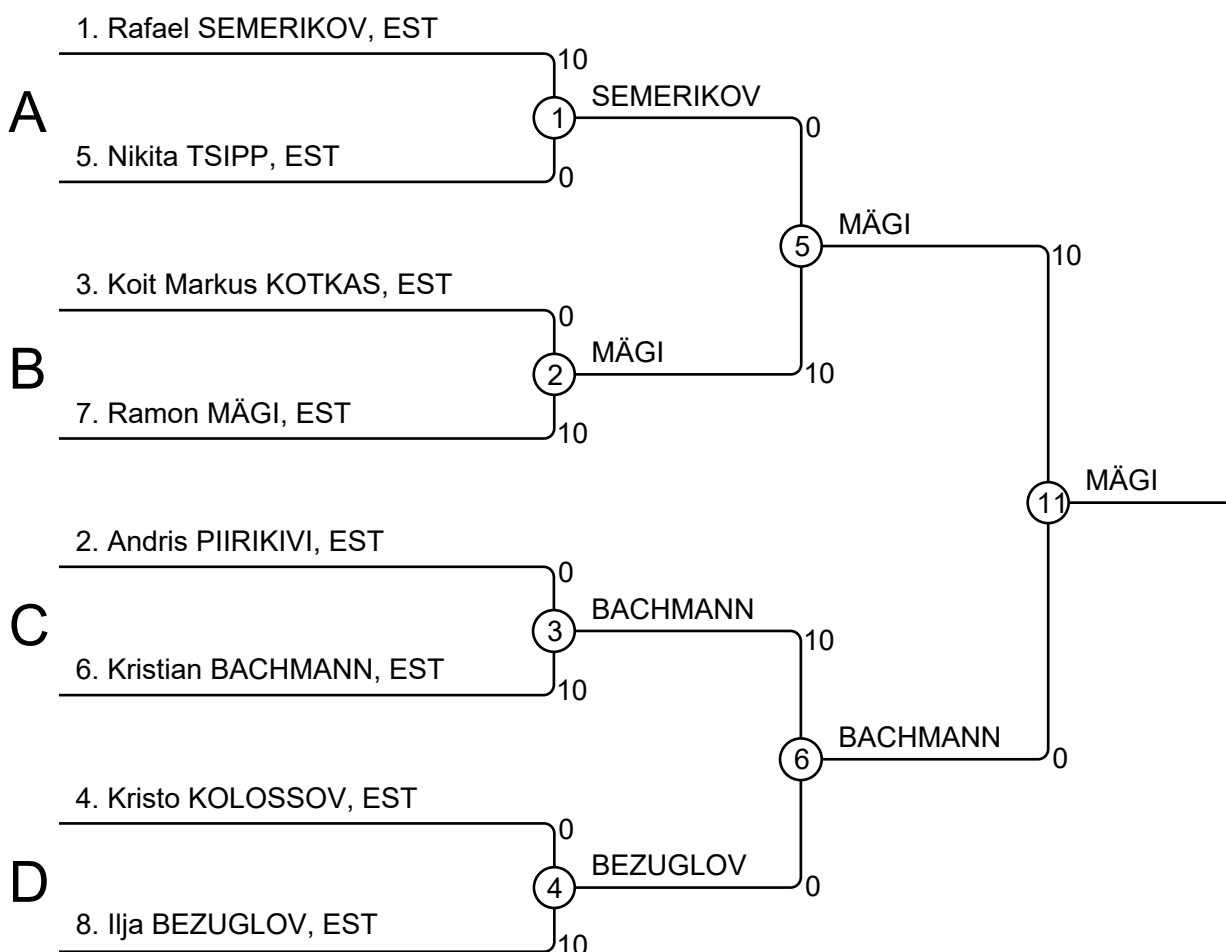
Match	White		Blue		Result	Time
1	Kristjan SOIDLA	1	2	Pavel BABUTA	10 - 0	0:00
2	Arnolds ARSENTJEVS	3	4	Ralf KASK	10 - 0	0:00
3	Kristjan SOIDLA	1	3	Arnolds ARSENTJEVS	0 - 10	0:00
4	Pavel BABUTA	2	4	Ralf KASK	10 - 0	0:00
5	Kristjan SOIDLA	1	4	Ralf KASK	10 - 0	0:00
6	Pavel BABUTA	2	3	Arnolds ARSENTJEVS	0 - 5	0:00

Results

Pos	Name
1	Arnolds ARSENTJEVS, LAT/Rigas Judo Skola
2	Kristjan SOIDLA, EST/Viru judo
3	Pavel BABUTA, EST/Budolinn
4	Ralf KASK, EST/DO

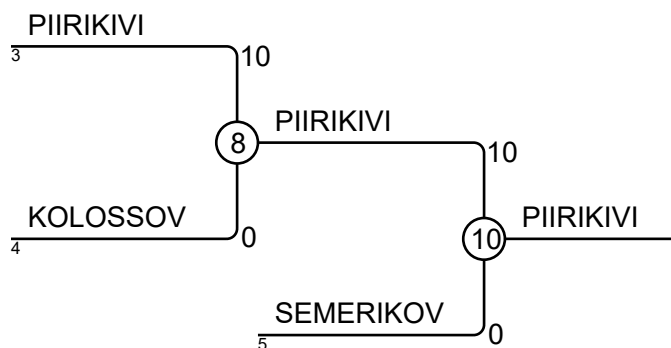
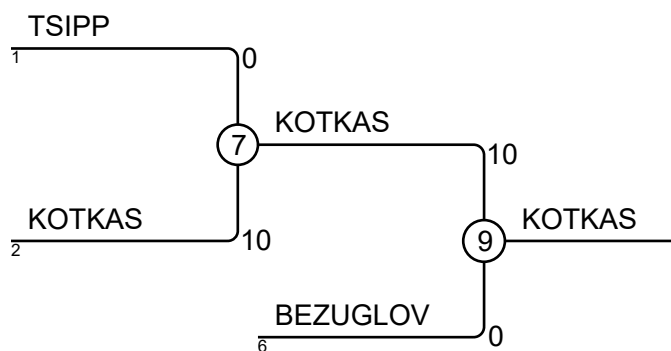
Tartu XXV International Judo Tournament 16.04.2016 EB -25

Competitors: 8



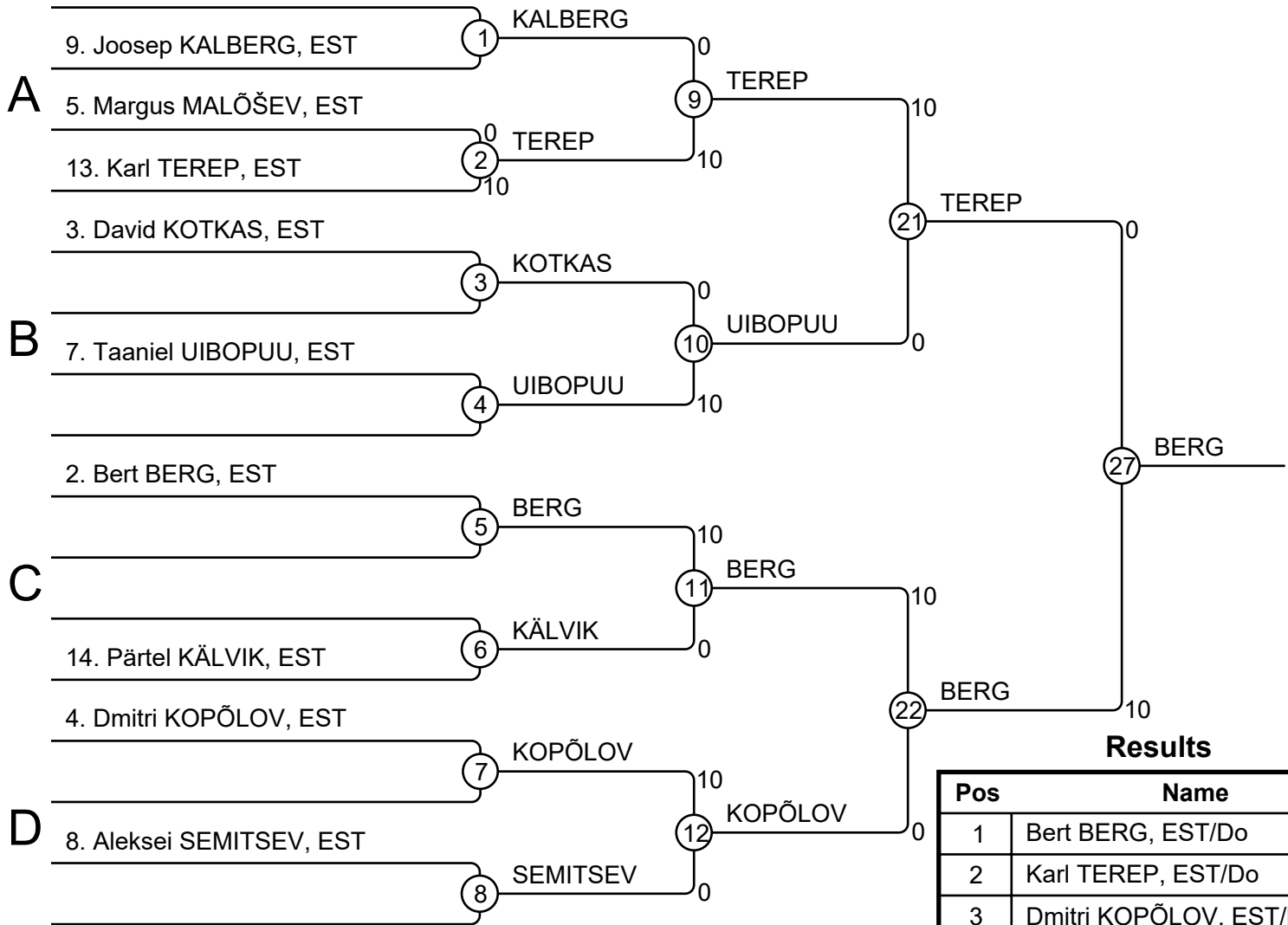
Results

Pos	Name
1	Ramon MÄGI, EST/Saaremaa Spordi
2	Kristian BACHMANN, EST/Ookami
3	Koit Markus KOTKAS, EST/Do
3	Andris PIIRIKIVI, EST/sk zen
5	Ilja BEZUGLOV, EST/Dodze
5	Rafael SEMERIKOV, EST/Dodze
7	Nikita TSIPP, EST/sk zen
7	Kristo KOLOSSOV, EST/DO



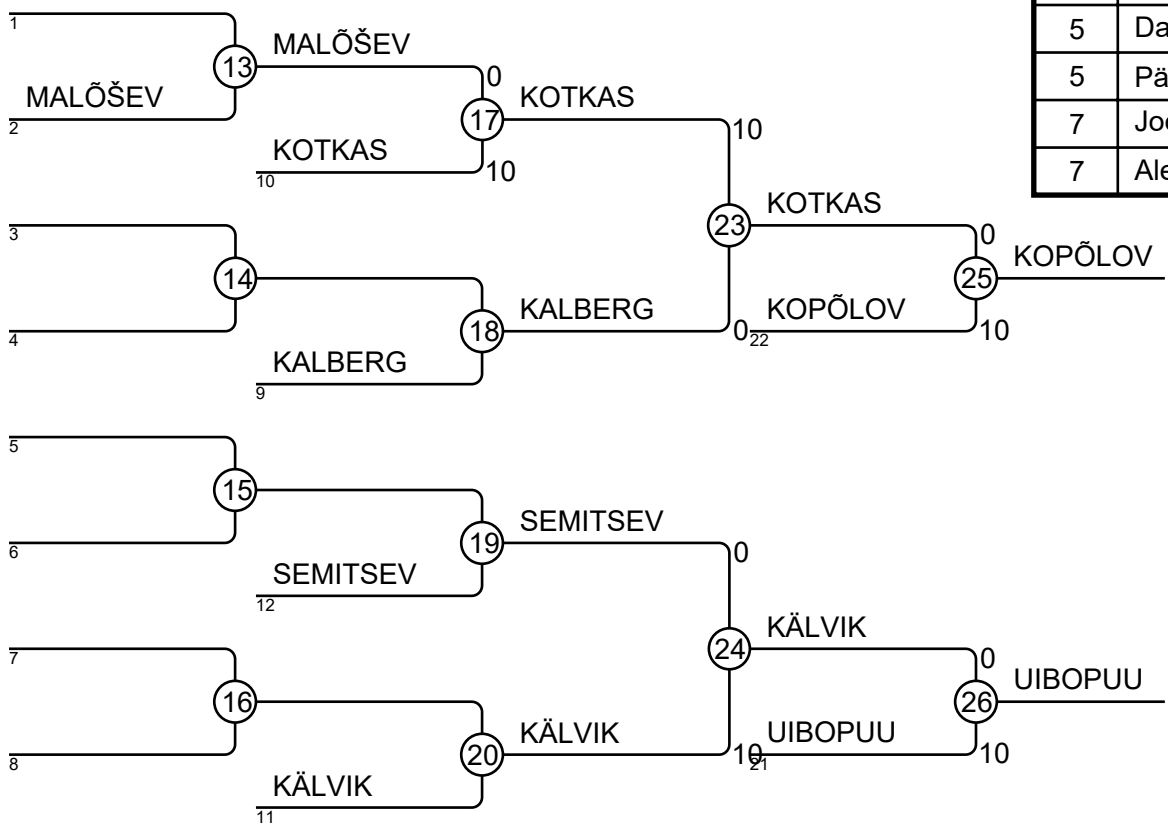
Tartu XXV International Judo Tournament 16.04.2016 EB -27

Competitors: 9



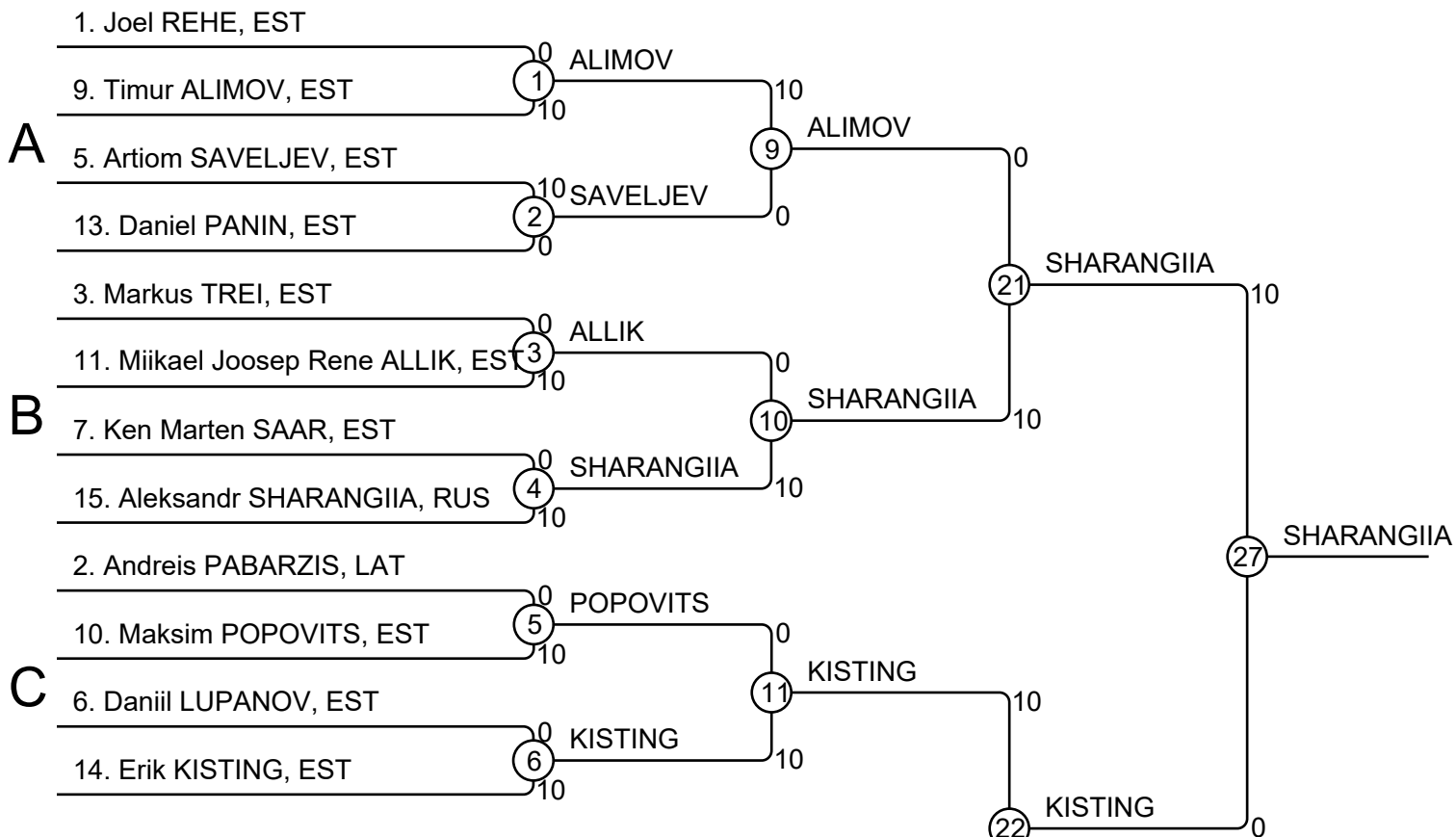
Results

Pos	Name
1	Bert BERG, EST/Do
2	Karl TEREK, EST/Do
3	Dmitri KOPÕLOV, EST/Budolinn
3	Taaniel UIBOPUU, EST/DO
5	David KOTKAS, EST/Afina
5	Pärtel KÄLVIK, EST/DO
7	Joosep KALBERG, EST/DO
7	Aleksei SEMITSEV, EST/Afina



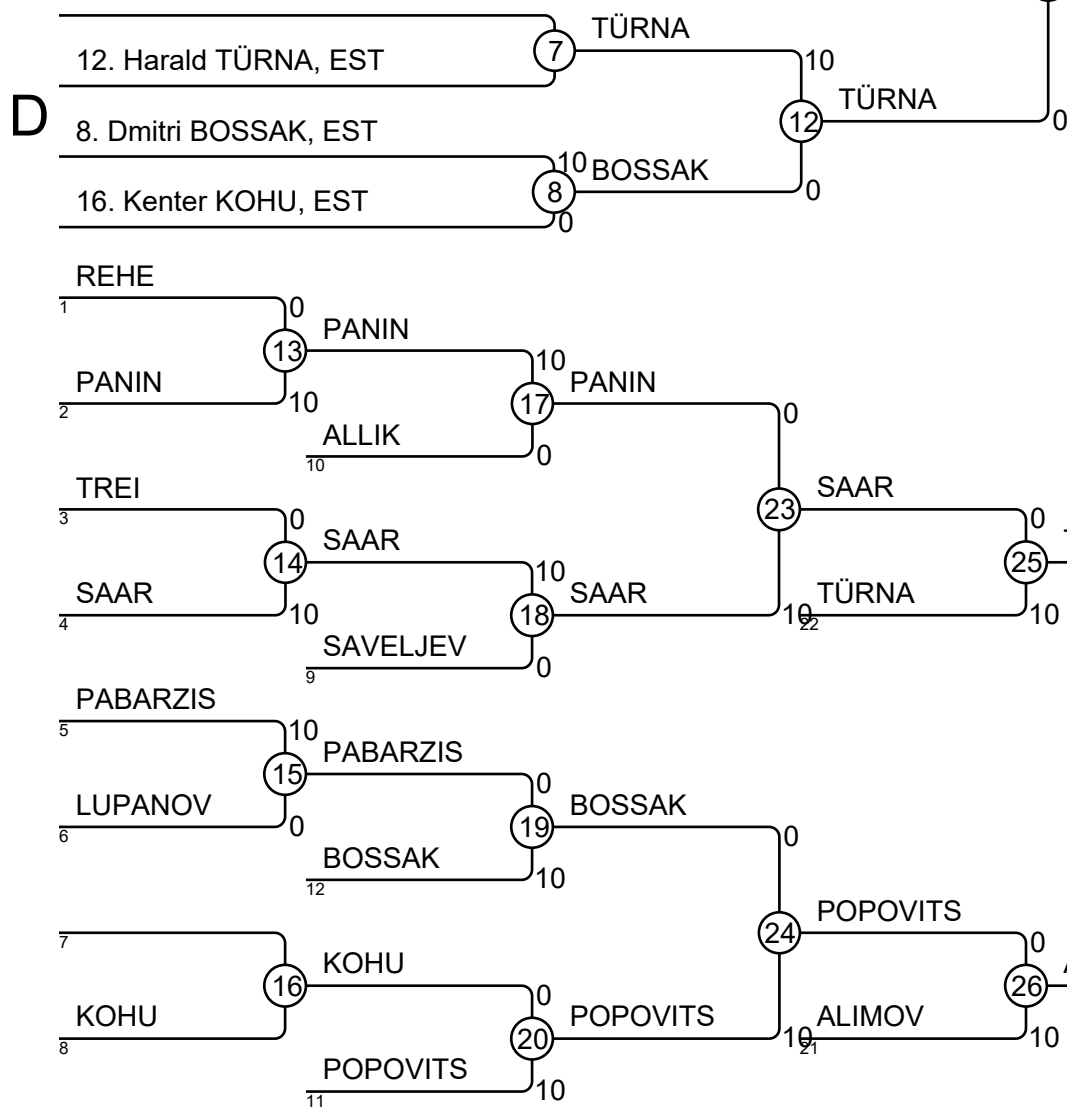
Tartu XXV International Judo Tournament 16.04.2016 EB -30

Competitors: 15



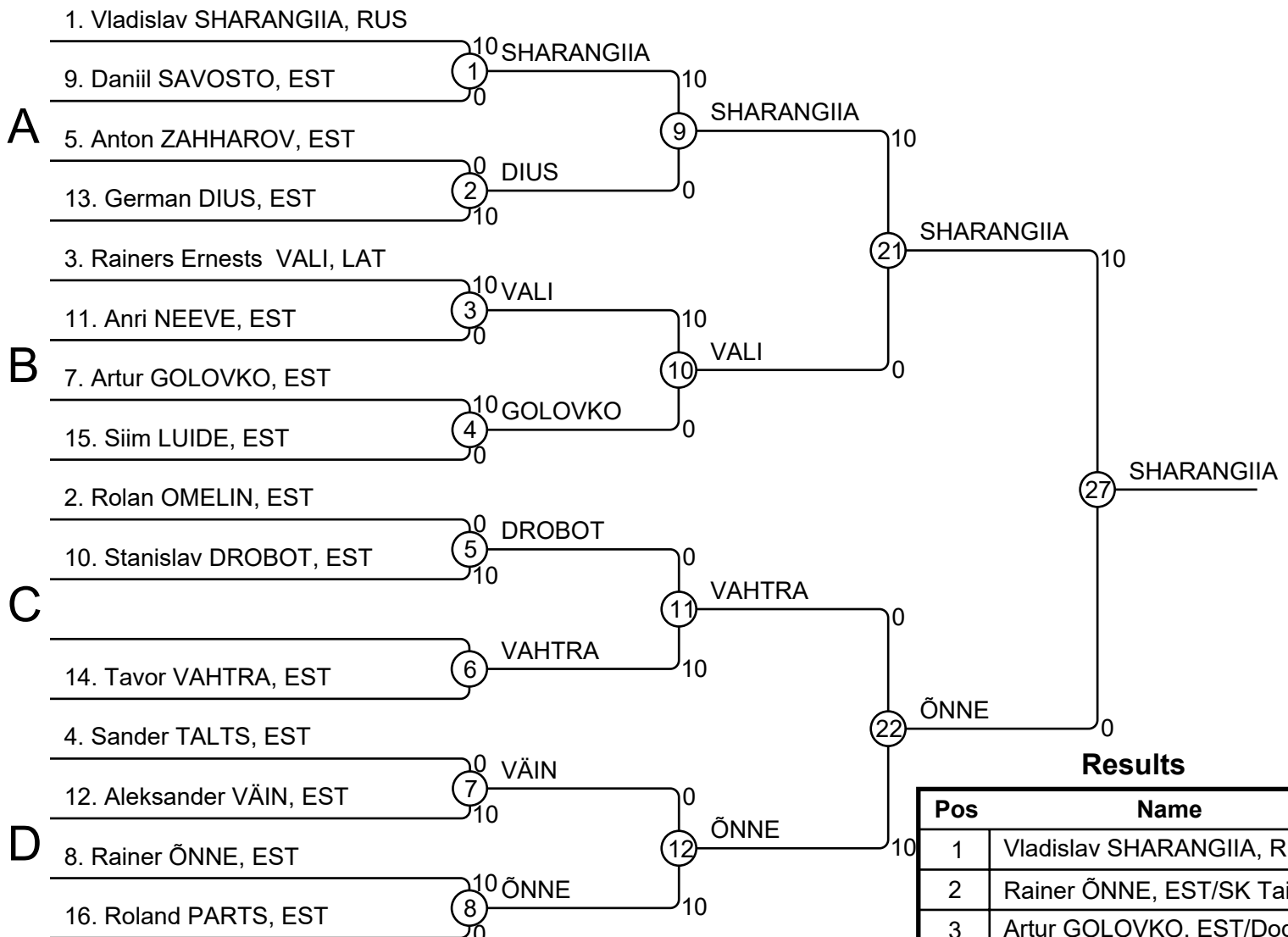
Results

Pos	Name
1	Aleksandr SHARANGIIA, RUS/POCOVITS
2	Erik KISTING, EST/Dodze
3	Harald TÜRNA, EST/Do
3	Timur ALIMOV, EST/Budolinn
5	Ken Marten SAAR, EST/Do
5	Maksim POPOVITS, EST/Budolinn
7	Daniel PANIN, EST/Põhjakotkas
7	Dmitri BOSSAK, EST/Dodze



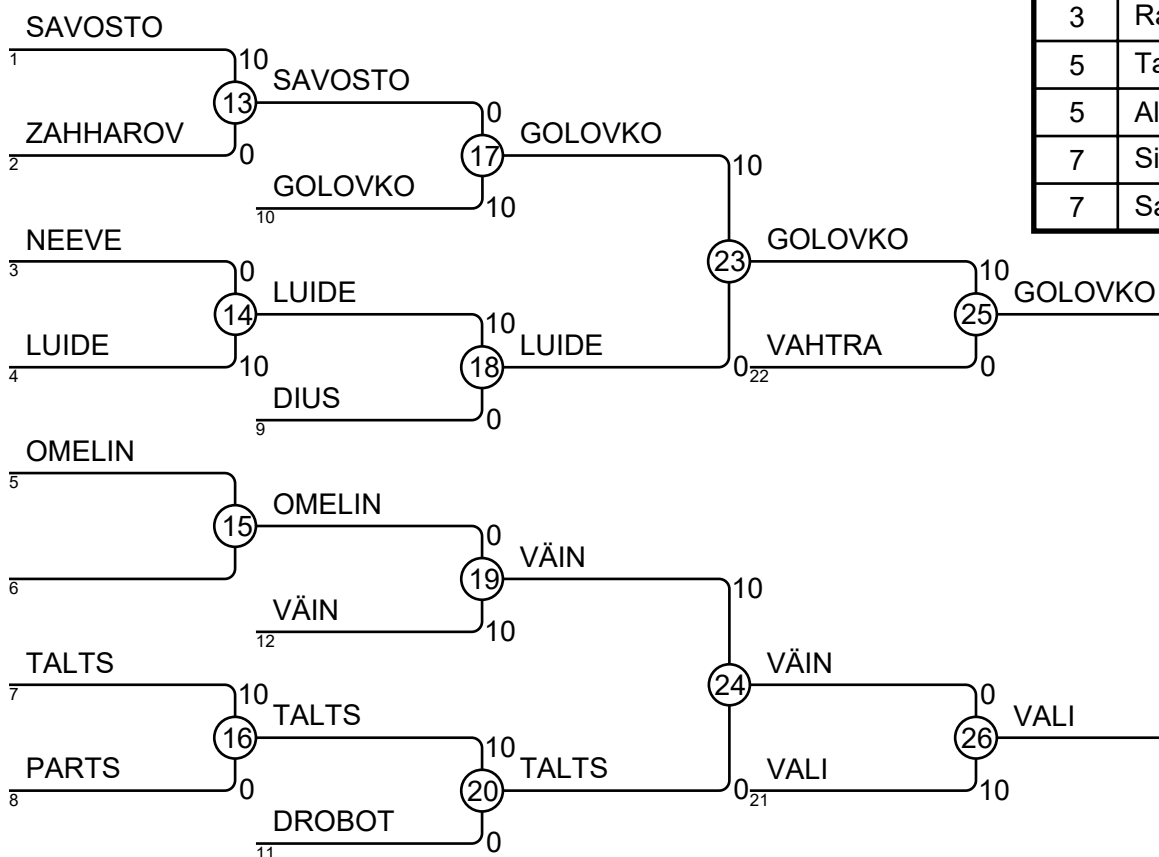
Tartu XXV International Judo Tournament 16.04.2016 EB -34

Competitors: 15



Results

Pos	Name
1	Vladislav SHARANGIIA, RUS/ПОСЫЛ
2	Rainer ÕNNE, EST/SK Taifu
3	Artur GOLOVKO, EST/Dodze
3	Rainers Ernests VALI, LAT/Rigas Ju
5	Tavor VAHTRA, EST/Võru REI
5	Aleksander VÄIN, EST/Saaremaa sp
7	Siim LUIDE, EST/SK Taifu
7	Sander TALTS, EST/Ookami



Tartu XXV International Judo Tournament 16.04.2016 EB -38

Competitors: 2

Competitors

#	Name	Grade	Club	1	2	1	2	1	2	Wins	Pts	Pos
1	Ott TOOMING	?	EST/Do							0	0	2
2	Armin Ott TALPAS	?	EST/Ookami	10		10				2	20	1

Matches

Match	White			Blue	Result	Time
1	Ott TOOMING	1	2	Armin Ott TALPAS	0 - 10	0:00
2	Ott TOOMING	1	2	Armin Ott TALPAS	0 - 10	0:00
3	Ott TOOMING	1	2	Armin Ott TALPAS		

Results

Pos	Name
1	Armin Ott TALPAS, EST/Ookami
2	Ott TOOMING, EST/Do

Tartu XXV International Judo Tournament 16.04.2016 EB-23

Competitors: 3

Competitors

#	Name	Grade	Club	1	2	3	Wins	Pts	Pos
1	Markus SOE	?	EST/Võru REI			10	1	10	2
2	Rolan AMELIN	?	EST/Dodze	10		10	2	20	1
3	Sten TROMMEL	?	EST/Rei				0	0	3

Matches

Match	White		Blue		Result	Time
1	Markus SOE	1	2	Rolan AMELIN	0 - 10	0:00
2	Markus SOE	1	3	Sten TROMMEL	10 - 0	0:00
3	Rolan AMELIN	2	3	Sten TROMMEL	10 - 0	0:00

Results

Pos	Name
1	Rolan AMELIN, EST/Dodze
2	Markus SOE, EST/Võru REI
3	Sten TROMMEL, EST/Rei

Competitors

#	Name	Grade	Club	1	2	3	4	Wins	Pts	Pos
1	Elizaveta ŠILOVA	?	EST/Dodze					0	0	4
2	Anette KUUS	?	EST/Do	10				1	10	3
3	Marta ARSENTJEVA	?	LAT/Rigas Judo Skola	10	10		10	3	30	1
4	Sofi STAGANOVITS	?	EST/Budolinn	10	10			2	20	2

Matches

Match	White		Blue		Result	Time
1	Elizaveta ŠILOVA	1	2	Anette KUUS	0 - 10	0:00
2	Marta ARSENTJEVA	3	4	Sofi STAGANOVITS	10 - 0	0:00
3	Elizaveta ŠILOVA	1	3	Marta ARSENTJEVA	0 - 10	0:00
4	Anette KUUS	2	4	Sofi STAGANOVITS	0 - 10	0:00
5	Elizaveta ŠILOVA	1	4	Sofi STAGANOVITS	0 - 10	0:00
6	Anette KUUS	2	3	Marta ARSENTJEVA	0 - 10	0:00

Results

Pos	Name
1	Marta ARSENTJEVA, LAT/Rigas Judo Skola
2	Sofi STAGANOVITS, EST/Budolinn
3	Anette KUUS, EST/Do
4	Elizaveta ŠILOVA, EST/Dodze

Tartu XXV International Judo Tournament 16.04.2016 EG -52

Competitors: 4

Competitors

#	Name	Grade	Club	1	2	3	4	Wins	Pts	Pos
1	Angelina PINTSUK	?	EST/Afina		10	10	10	3	30	1
2	Maria GROMOVA	?	EST/Afina					0	0	4
3	Jaanika ESTO	?	EST/Viru judo		10			1	10	3
4	Romy-Ly PARTS	?	EST/Zen		10	10		2	20	2

Matches

Match	White		Blue		Result	Time
1	Angelina PINTSUK	1	2	Maria GROMOVA	10 - 0	0:00
2	Jaanika ESTO	3	4	Romy-Ly PARTS	0 - 10	0:00
3	Angelina PINTSUK	1	3	Jaanika ESTO	10 - 0	0:00
4	Maria GROMOVA	2	4	Romy-Ly PARTS	0 - 10	0:00
5	Angelina PINTSUK	1	4	Romy-Ly PARTS	10 - 0	0:00
6	Maria GROMOVA	2	3	Jaanika ESTO	0 - 10	0:00

Results

Pos	Name
1	Angelina PINTSUK, EST/Afina
2	Romy-Ly PARTS, EST/Zen
3	Jaanika ESTO, EST/Viru judo
4	Maria GROMOVA, EST/Afina