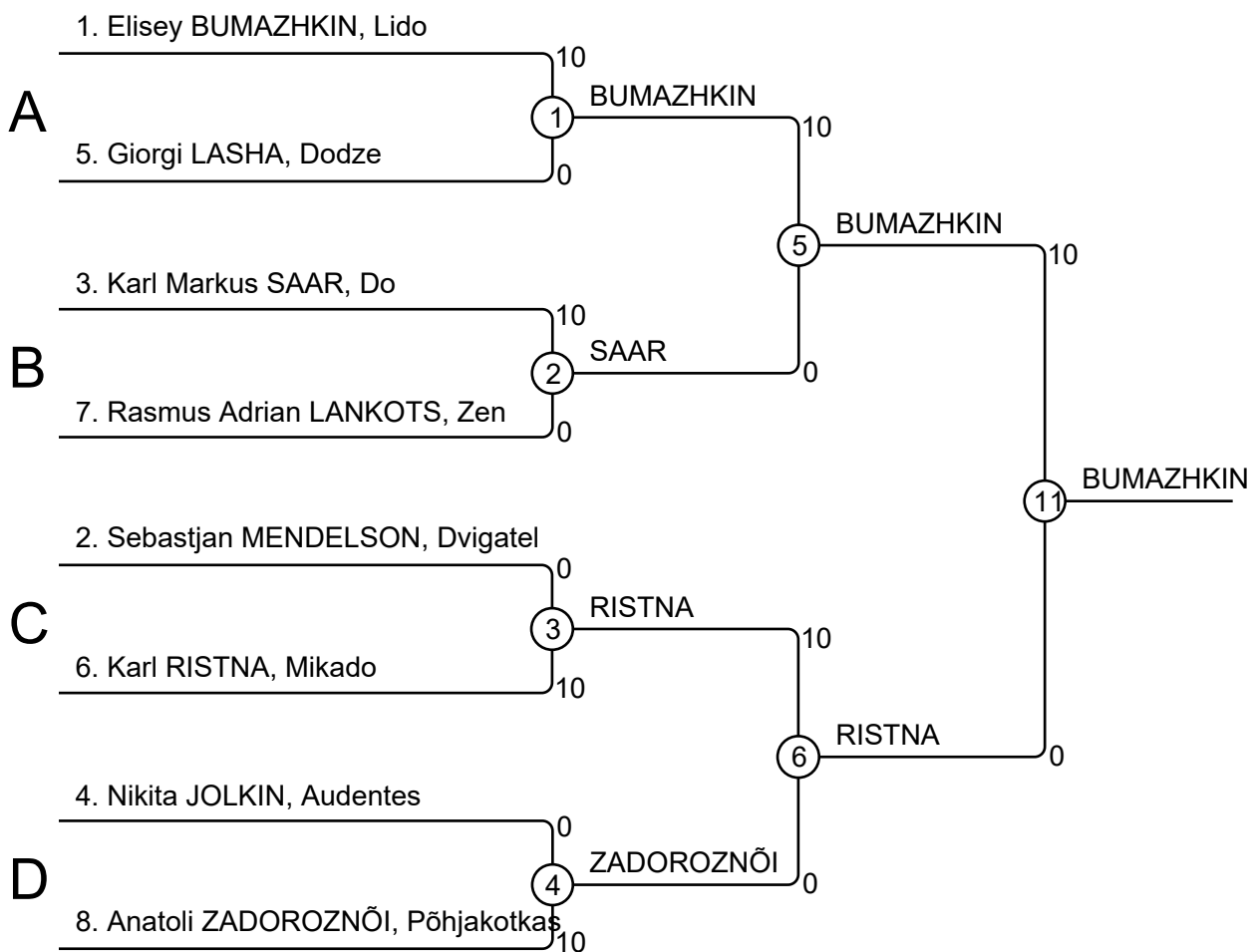


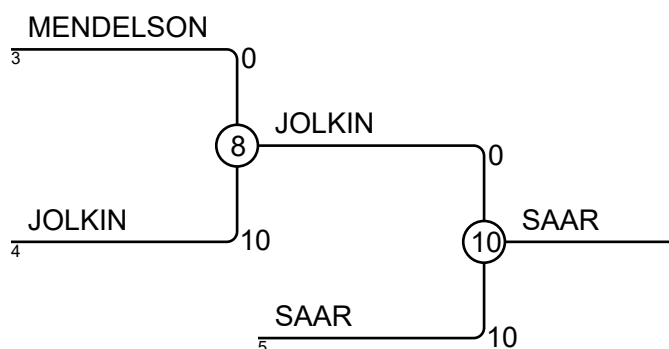
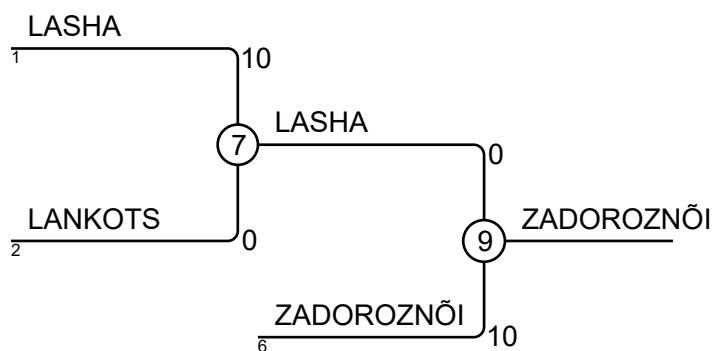
Tartu Sügisturniir 03.10.2015 E-38

Competitors: 8



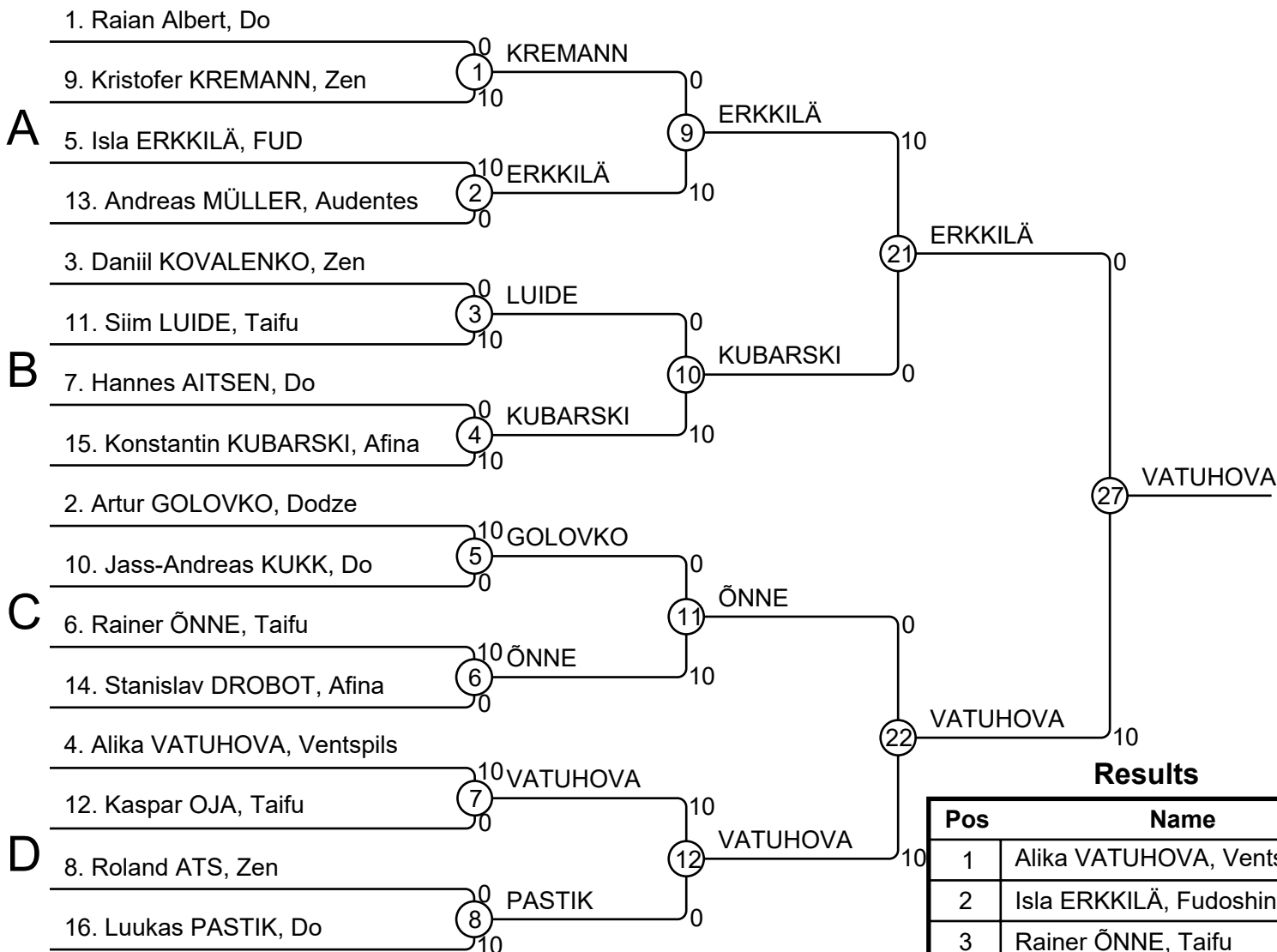
Results

Pos	Name
1	Elisey BUMAZHKIN, Lido
2	Karl RISTNA, Mikado
3	Anatoli ZADOROZNÕI, Põhjakotkas
3	Karl Markus SAAR, Do
5	Giorgi LASHA, Dodze
5	Nikita JOLKIN, Audentes
7	Rasmus Adrian LANKOTS, Zen
7	Sebastjan MENDELSON, Dvigatel



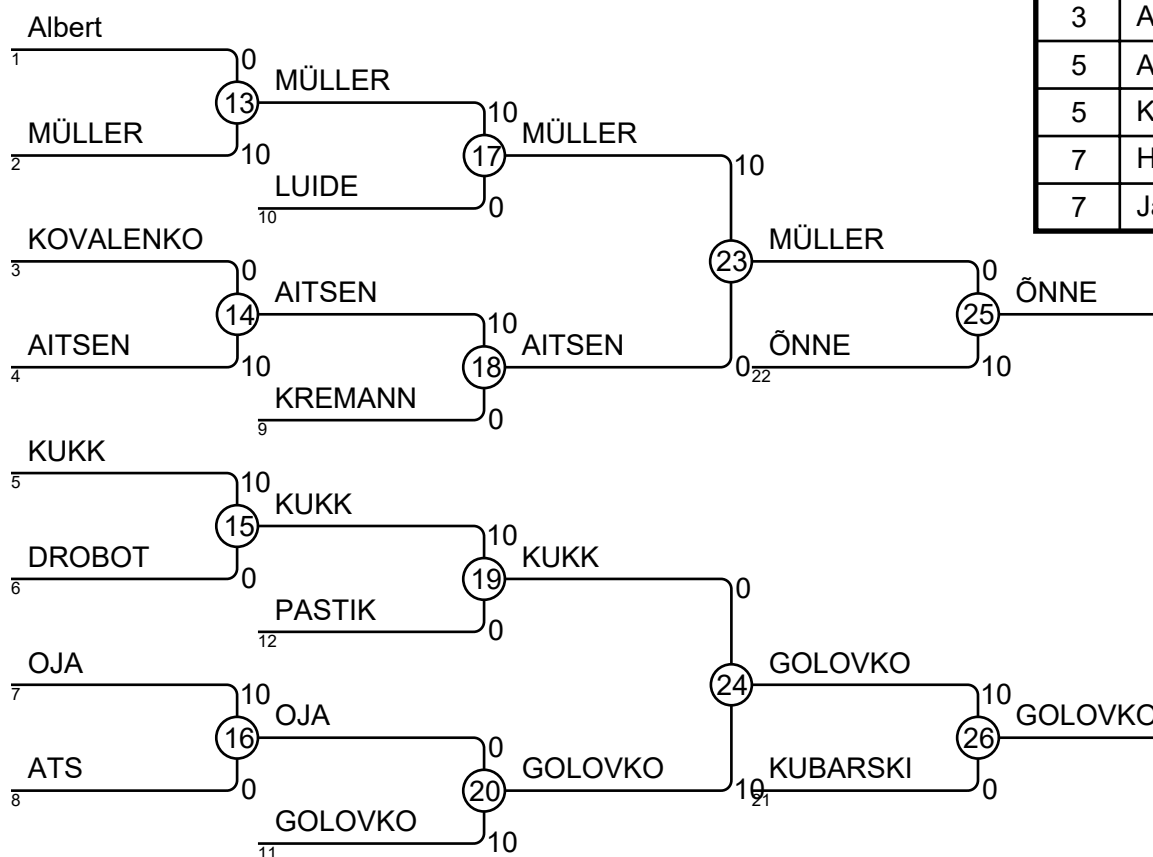
Tartu Sügisturniir 03.10.2015 E-34

Competitors: 16



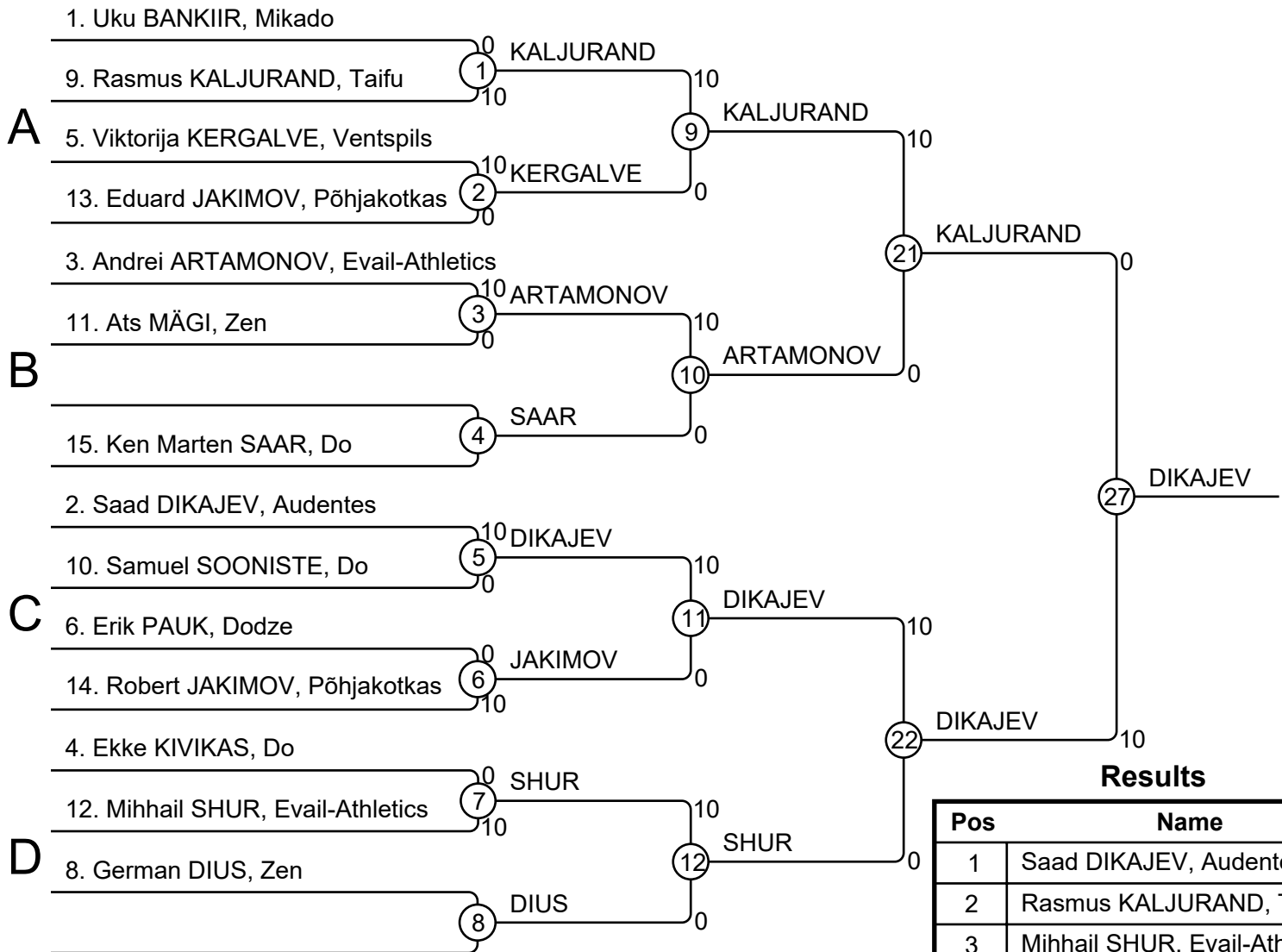
Results

Pos	Name
1	Aika VATUHOVA, Ventspils
2	Isla ERKKILÄ, Fudoshin
3	Rainer ÖNNE, Taifu
3	Artur GOLOVKO, Dodze
5	Andreas MÜLLER, Audentes
5	Konstantin KUBARSKI, Afina
7	Hannes AITSEN, Do
7	Jass-Andreas KUKK, Do



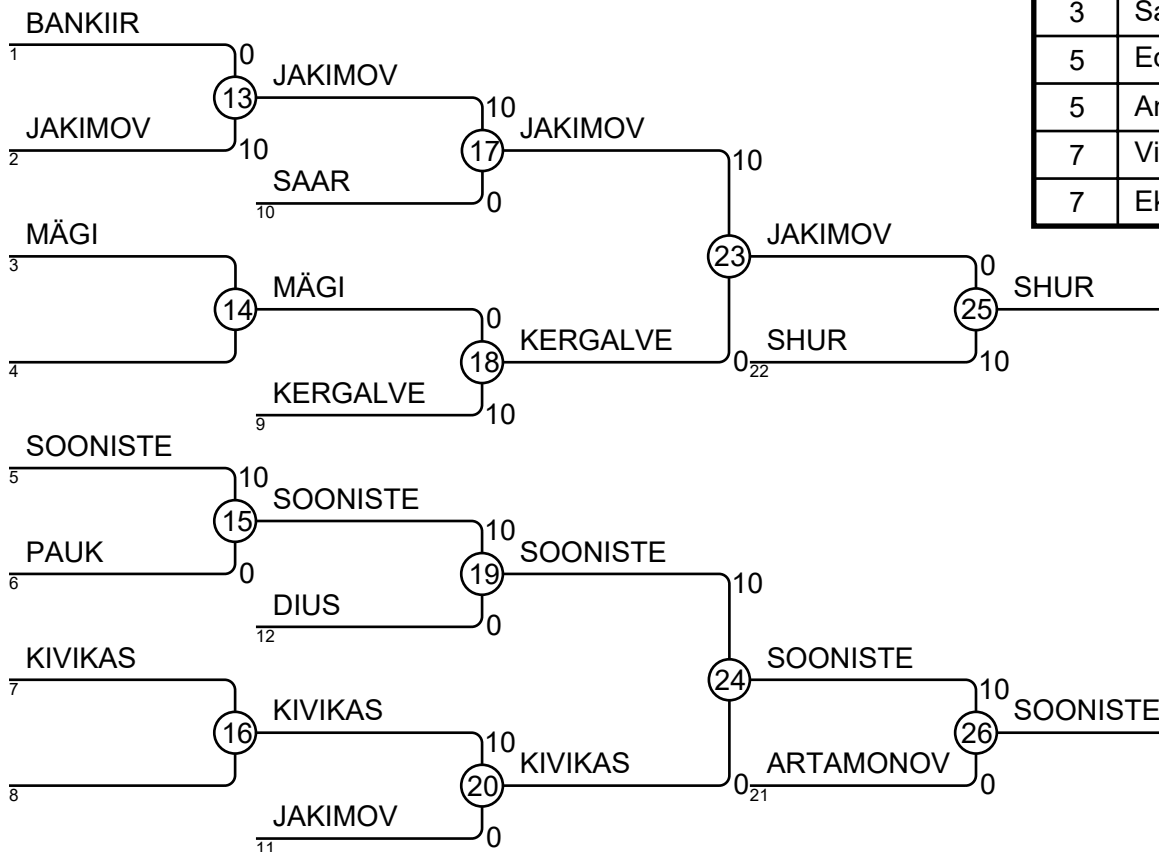
Tartu Sügisturniir 03.10.2015 E-30

Competitors: 14



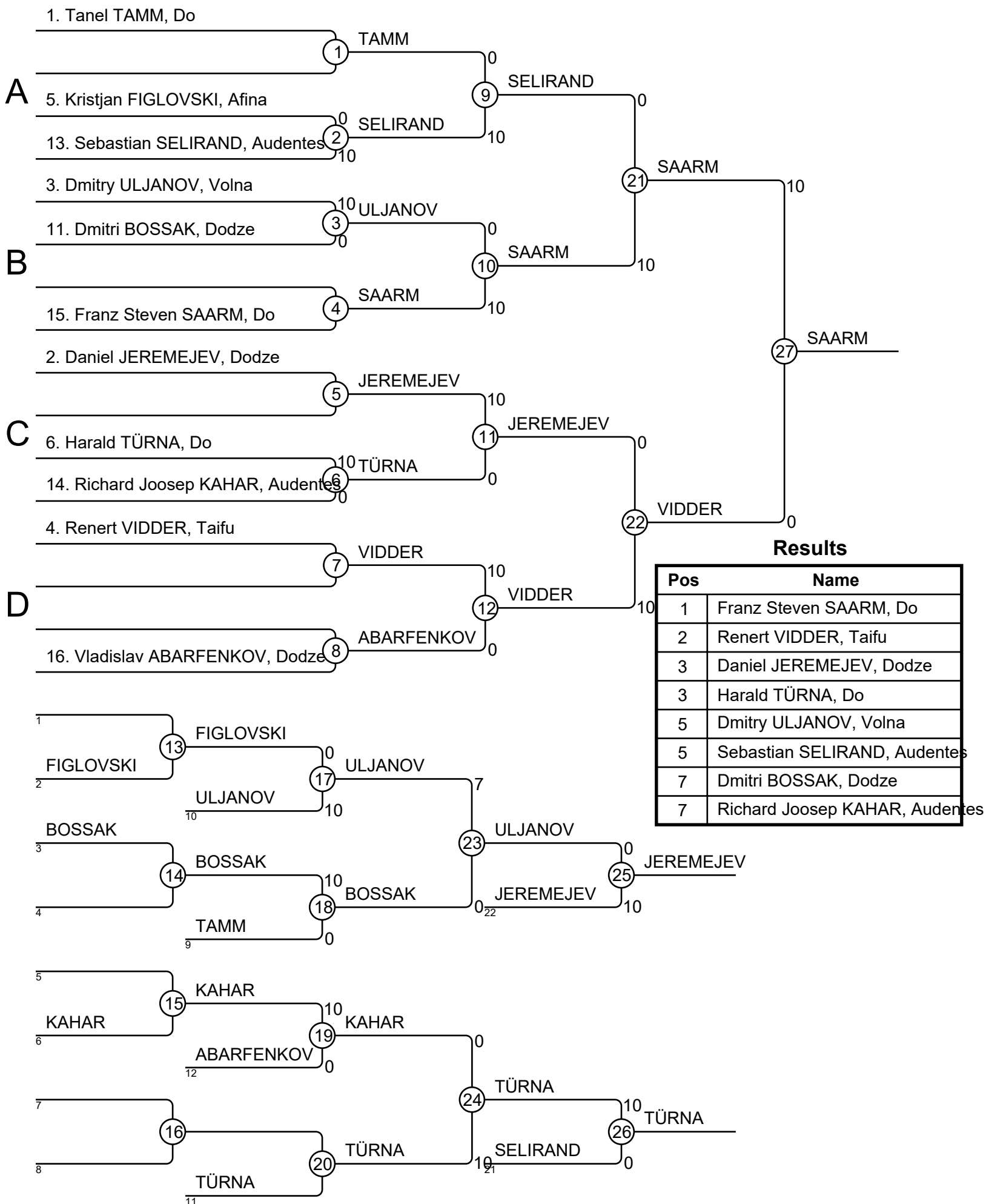
Results

Pos	Name
1	Saad DIKAJEV, Audentes
2	Rasmus KALJURAND, Taifu
3	Mihhail SHUR, Evail-Athletics
3	Samuel SOONISTE, Do
5	Eduard JAKIMOV, Põhjakotkas
5	Andrei ARTAMONOV, Evail-Athletics
7	Viktorija KERGAŁVE, Ventspils
7	Ekke KIVIKAS, Do



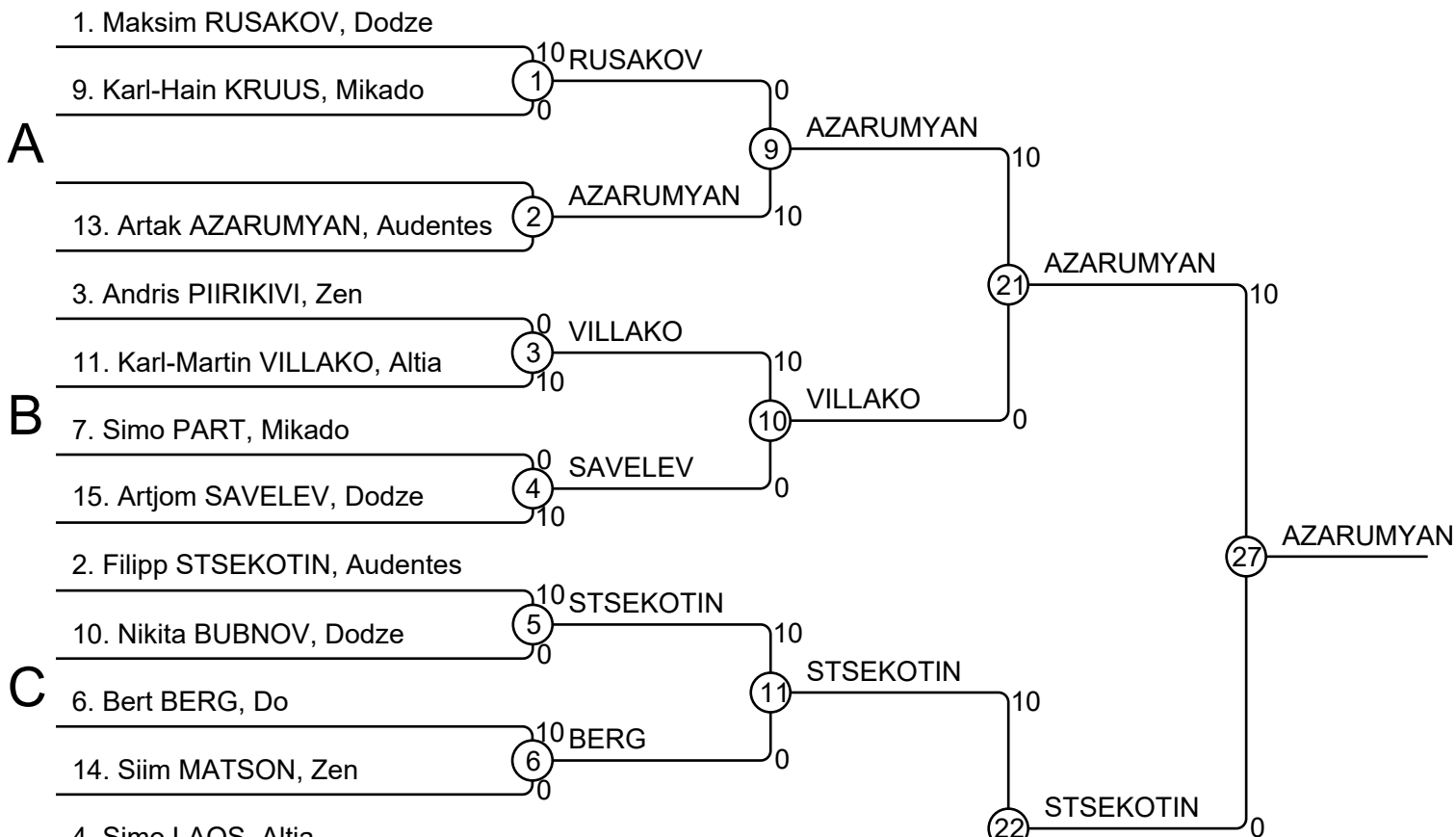
Tartu Sügisturniir 03.10.2015 E-27

Competitors: 11



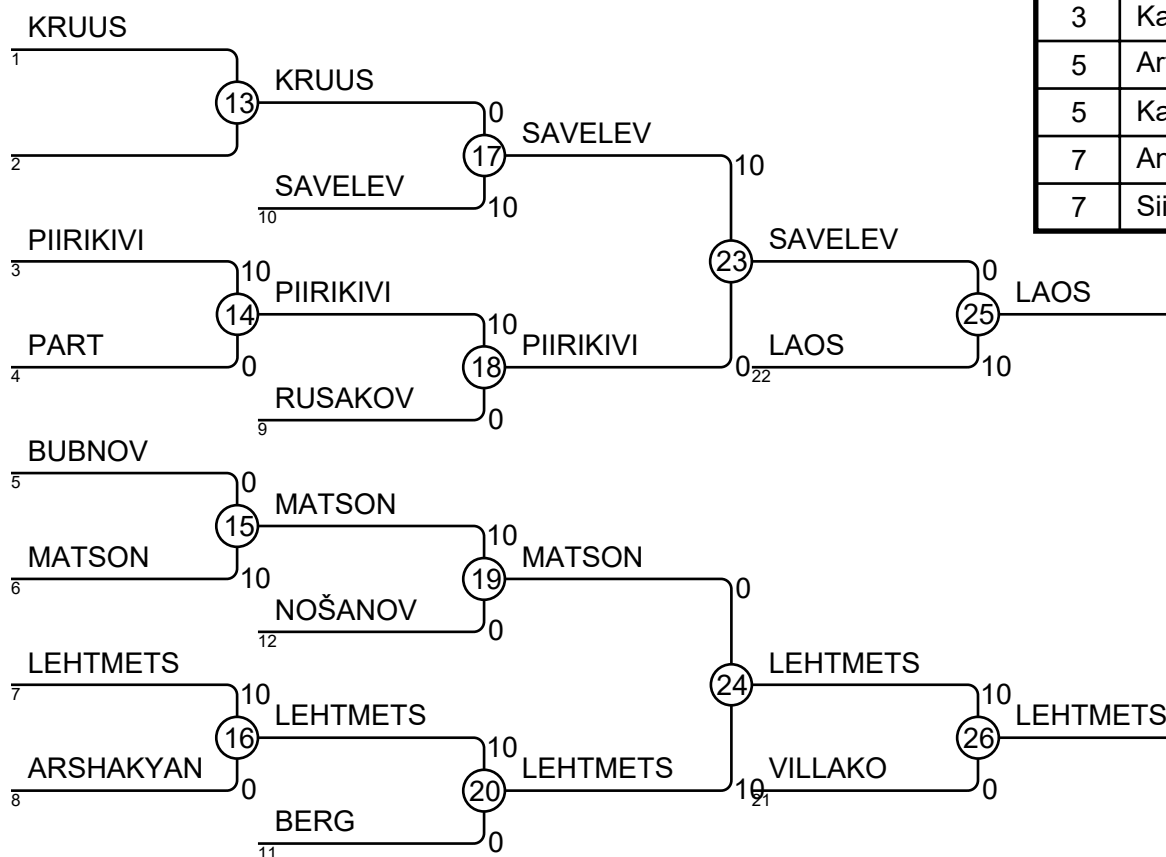
Tartu Sügisturniir 03.10.2015 E-25

Competitors: 15



Results

Pos	Name
1	Artak AZARUMYAN, Audentes
2	Filipp STSEKOTIN, Audentes
3	Simo LAOS, Altia
3	Kaur Robert LEHTMETS, Zen
5	Artjom SAVELEV, Dodze
5	Karl-Martin VILLAKO, Altia
7	Andris PIIRIKIVI, Zen
7	Siim MATSON, Zen



Tartu Sgisturniir 03.10.2015 E-23

Competitors: 4

Competitors

#	Name	Grade	Club	1	2	3	4	Wins	Pts	Pos
1	Ilja BEZUGLOV	?	Dodze		10			1	10	3
2	Nikita TSIPP	?	Zen					0	0	4
3	David BASOV	?	Ippon Kingisepp	10	10		7	3	27	1
4	Zaharss LISENKO	?	Ventspils	10	10			2	20	2

Matches

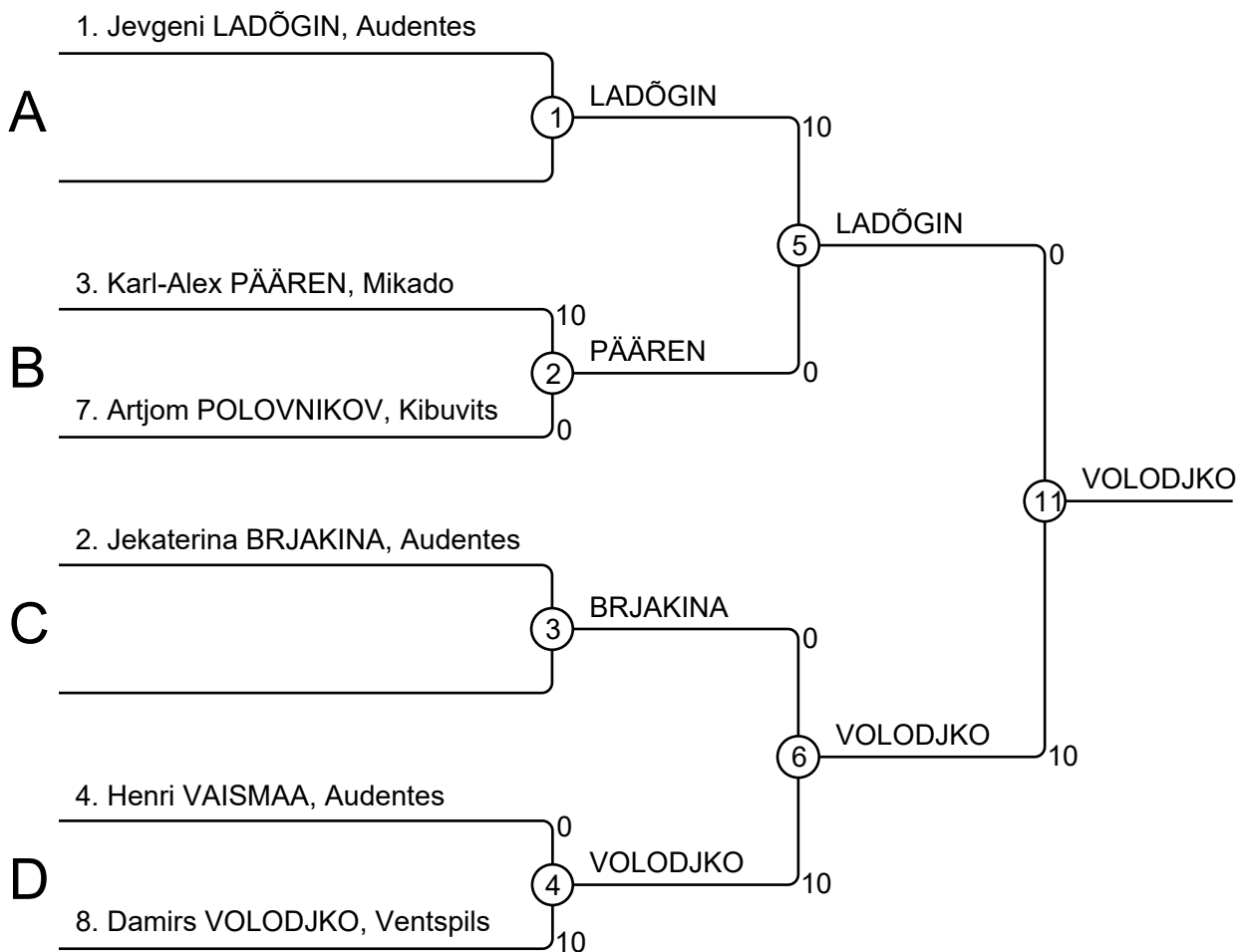
Match	White		Blue		Result	Time
1	Ilja BEZUGLOV	1	2	Nikita TSIPP	10 - 0	0:00
2	David BASOV	3	4	Zaharss LISENKO	7 - 0	0:00
3	Ilja BEZUGLOV	1	3	David BASOV	0 - 10	0:00
4	Nikita TSIPP	2	4	Zaharss LISENKO	0 - 10	0:00
5	Ilja BEZUGLOV	1	4	Zaharss LISENKO	0 - 10	0:00
6	Nikita TSIPP	2	3	David BASOV	0 - 10	0:00

Results

Pos	Name
1	David BASOV, Ippon Kingisepp
2	Zaharss LISENKO, Ventspils
3	Ilja BEZUGLOV, Dodze
4	Nikita TSIPP, Zen

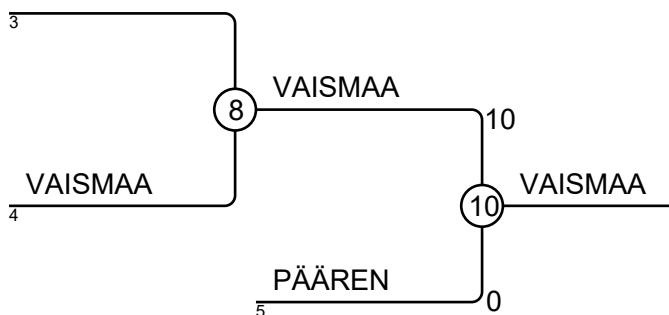
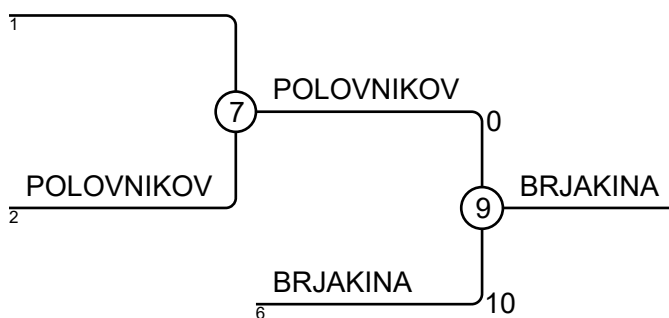
Tartu Sügisturniir 03.10.2015 E+38

Competitors: 6



Results

Pos	Name
1	Damirs VOLODJKO, Ventspils
2	Jevgeni LADÕGIN, Audentes
3	Jekaterina BRJAKINA, Audentes
3	Henri VAISMAA, Audentes
5	Artjom POLOVNIKOV, Kibuvits
5	Karl-Alex PÄÄREN, Mikado
7	
7	



Tartu Sügisturniir 03.10.2015 DG-42

Competitors: 3

Competitors

#	Name	Grade	Club	1	2	3	Wins	Pts	Pos
1	Hanna Eliise SÕRRA	?	Do				0	0	3
2	Gettrin SAKS	?	Do	10			1	10	2
3	Jekaterina BRJAKINA	?	Audentes	1	10		2	11	1

Matches

Match	White	Blue	Result	Time
1	Hanna Eliise SÕRRA	1 2 Gettrin SAKS	0 - 10	0:00
2	Hanna Eliise SÕRRA	1 3 Jekaterina BRJAKINA	0 - 1	0:00
3	Gettrin SAKS	2 3 Jekaterina BRJAKINA	0 - 10	0:00

Results

Pos	Name
1	Jekaterina BRJAKINA, Audentes
2	Gettrin SAKS, Do
3	Hanna Eliise SÕRRA, Do

Tartu Sügisturniir 03.10.2015 DG-38

Competitors: 3

Competitors

#	Name	Grade	Club	1	2	3	Wins	Pts	Pos
1	Valeria UŠANOVA	?	Afina				0	0	3
2	Anna Liisa NURM	?	Do	10			1	10	2
3	Emmi HARELL	?	Fudoshin	10	10		2	20	1

Matches

Match	White		Blue		Result	Time
1	Valeria UŠANOVA	1 2	Anna Liisa NURM		0 - 10	0:00
2	Valeria UŠANOVA	1 3	Emmi HARELL		0 - 10	0:00
3	Anna Liisa NURM	2 3	Emmi HARELL		0 - 10	0:00

Results

Pos	Name
1	Emmi HARELL, Fudoshin
2	Anna Liisa NURM, Do
3	Valeria UŠANOVA, Afina

Tartu Sügisturniir 03.10.2015 DG-34

Competitors: 3

Competitors

#	Name	Grade	Club	1	2	3	Wins	Pts	Pos
1	Aljona SAZONOVA	?	Buffen-do		10		1	10	2
2	Pille RANDLANE	?	Zen				0	0	3
3	Nea SIREN	?	Fudoshin	10	10		2	20	1

Matches

Match	White			Blue	Result	Time
1	Aljona SAZONOVA	1	2	Pille RANDLANE	10 - 0	0:00
2	Aljona SAZONOVA	1	3	Nea SIREN	0 - 10	0:00
3	Pille RANDLANE	2	3	Nea SIREN	0 - 10	0:00

Results

Pos	Name
1	Nea SIREN, Fudoshin
2	Aljona SAZONOVA, Buffen-do
3	Pille RANDLANE, Zen

Tartu Sgisturniir 03.10.2015 DG+42

Competitors: 2

Competitors

#	Name	Grade	Club	1	2	1	2	1	2	Wins	Pts	Pos
1	Sandra ILVES	?	Do							0	0	2
2	Kristina BRJAKINA	?	Audentes	10		10				2	20	1

Matches

Match	White			Blue	Result	Time
1	Sandra ILVES	1	2	Kristina BRJAKINA	0 - 10	0:00
2	Sandra ILVES	1	2	Kristina BRJAKINA	0 - 10	0:00
3	Sandra ILVES	1	2	Kristina BRJAKINA		

Results

Pos	Name
1	Kristina BRJAKINA, Audentes
2	Sandra ILVES, Do

Tartu Sügisturniir 03.10.2015 DB-46

Competitors: 3

Competitors

#	Name	Grade	Club	1	2	3	Wins	Pts	Pos
1	Eduard AVETJAN	?	Audentes			5	1	5	2
2	Daniil GAVRILIN	?	Buffen-do	10		10	2	20	1
3	Deniss Nikolaevs	?	Ventspils				0	0	3

Matches

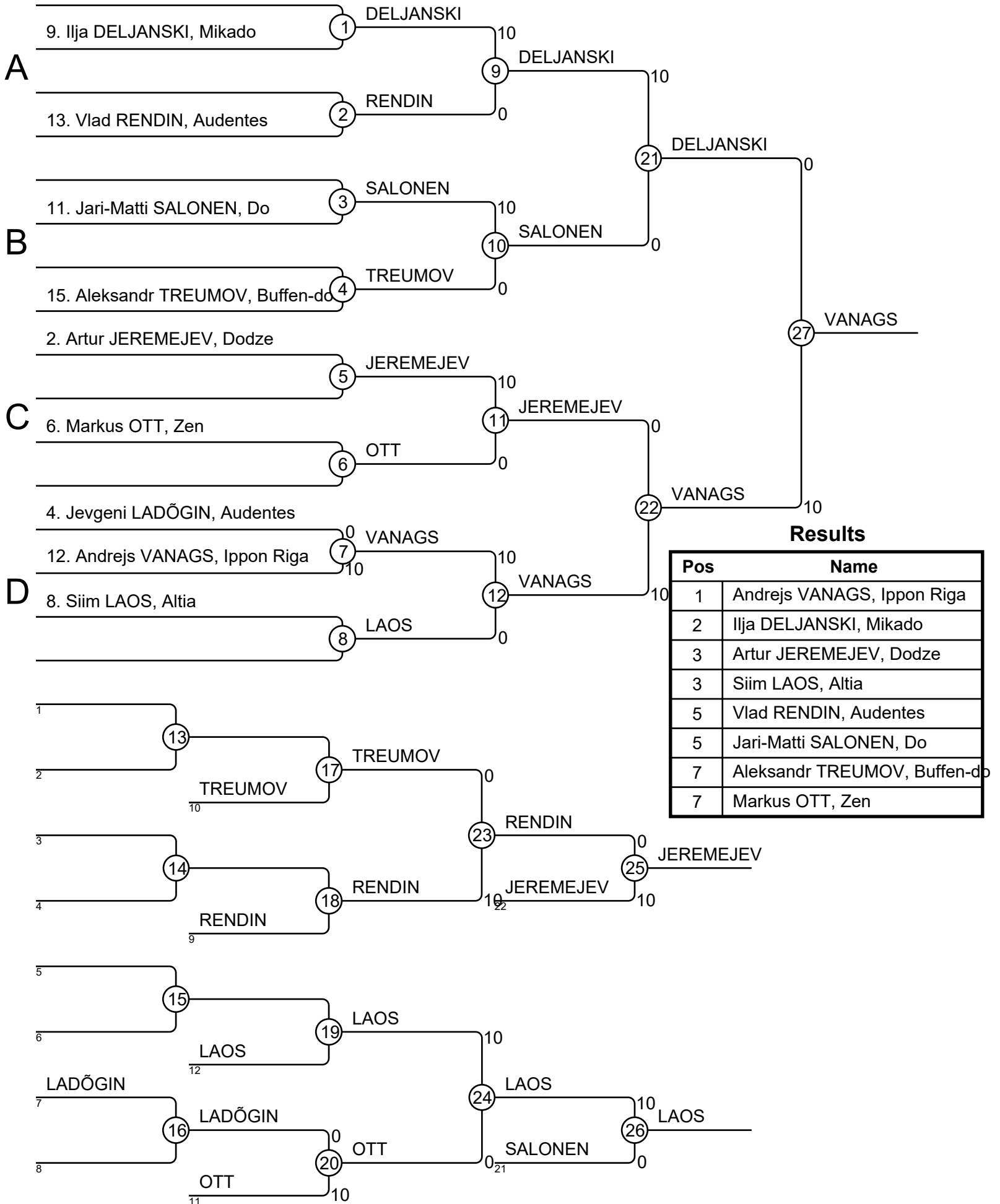
Match	White			Blue	Result	Time
1	Eduard AVETJAN	1	2	Daniil GAVRILIN	0 - 10	0:00
2	Eduard AVETJAN	1	3	Deniss Nikolaevs	5 - 0	0:00
3	Daniil GAVRILIN	2	3	Deniss Nikolaevs	10 - 0	0:00

Results

Pos	Name
1	Daniil GAVRILIN, Buffen-do
2	Eduard AVETJAN, Audentes
3	Deniss Nikolaevs, Ventspils

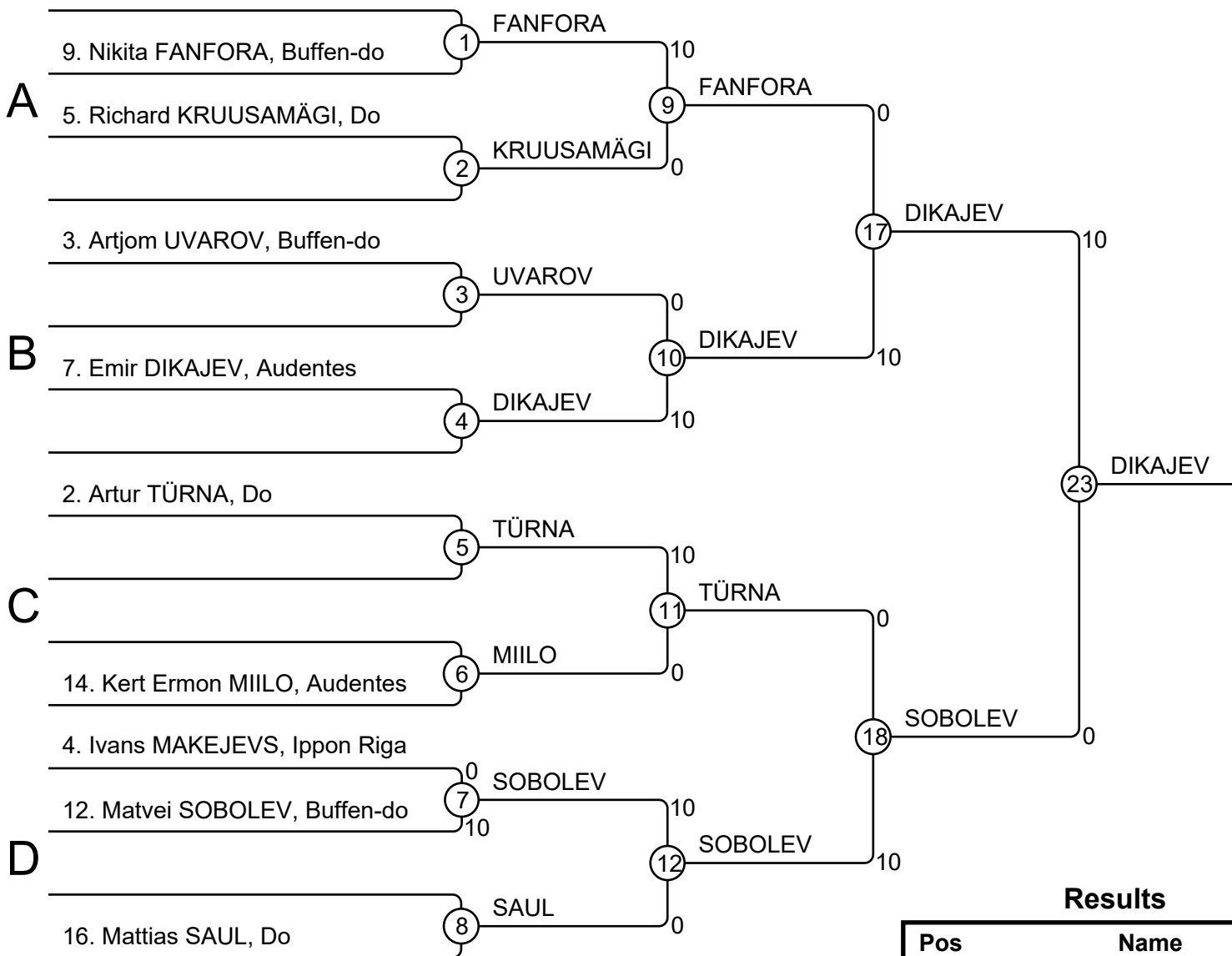
Tartu Sügisturniir 03.10.2015 DB-42

Competitors: 9



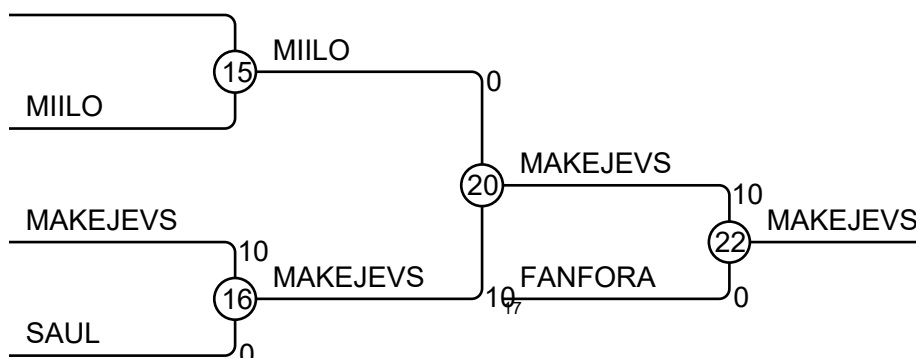
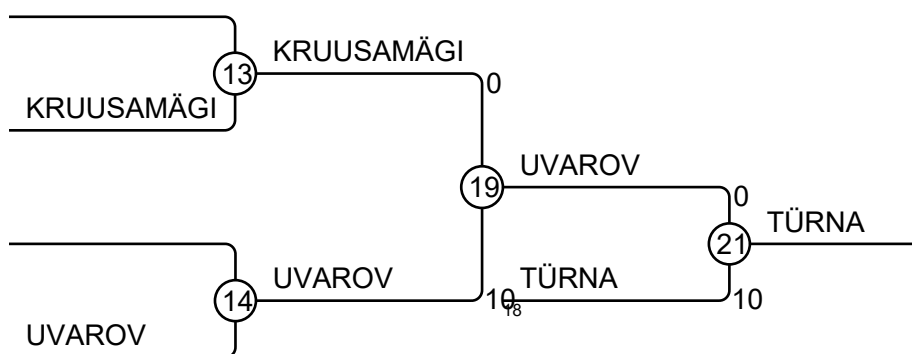
Tartu Sügisturniir 03.10.2015 DB-38

Competitors: 9



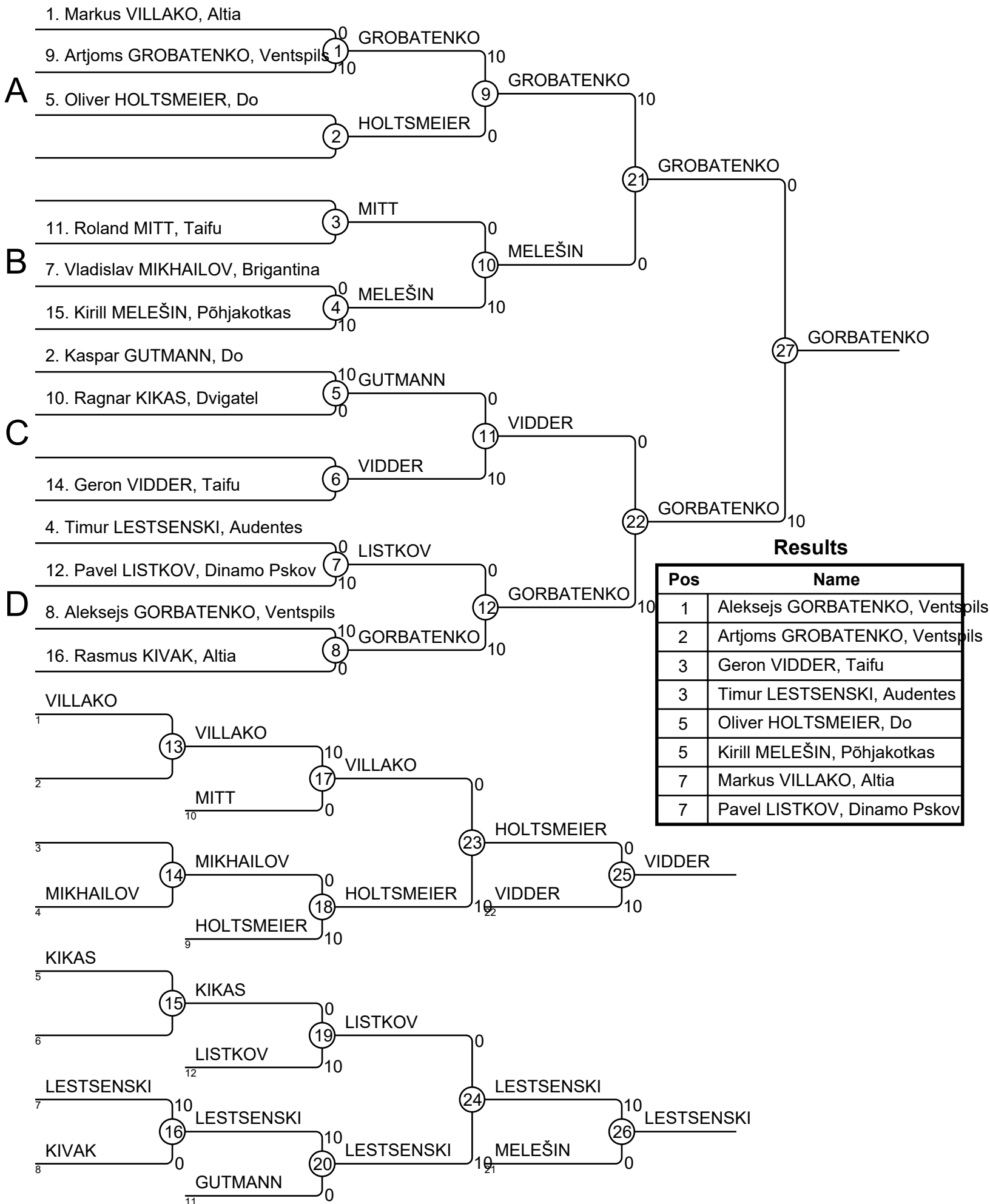
Results

Pos	Name
1	Emir DIKAJEV, Audentes
2	Matvei SOBOLEV, Buffen-do
3	Artur TÜRNA, Do
3	Ivans MAKEJEVS, Ippon Riga
5	Artjom UVAROV, Buffen-do
5	Nikita FANFORA, Buffen-do
7	Richard KRUUSAMÄGI, Do
7	Kert Ermon MIILO, Audentes



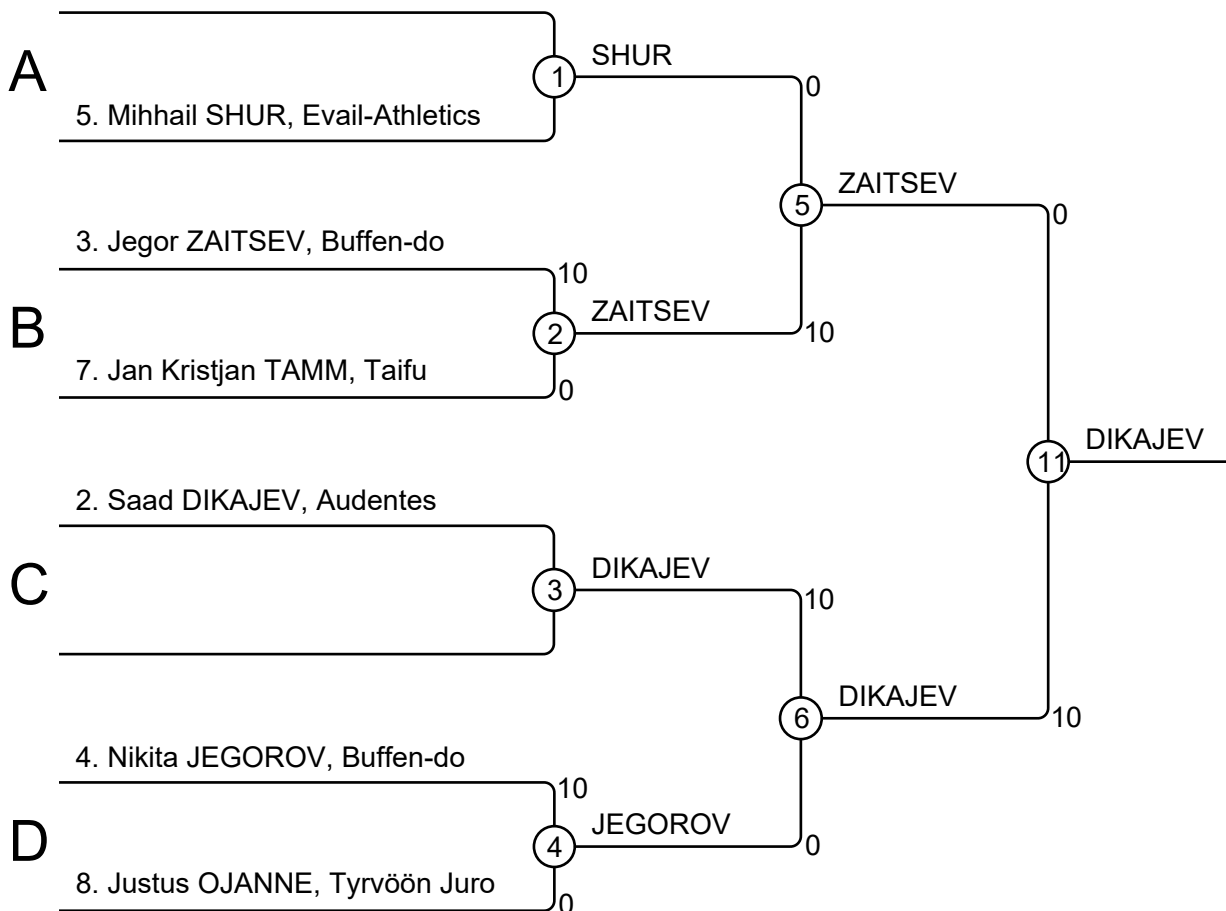
Tartu Sügisturniir 03.10.2015 DB-34

Competitors: 13



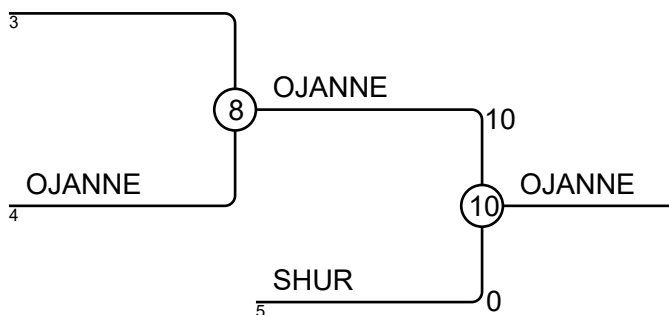
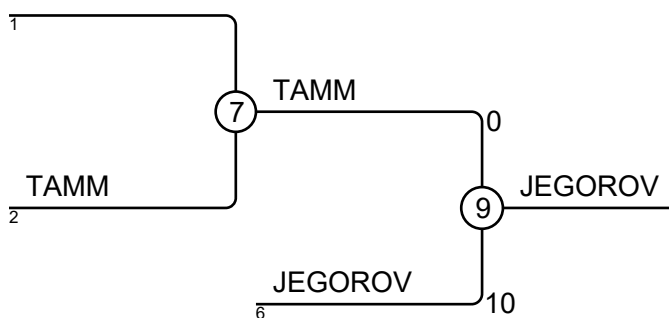
Tartu Sügisturniir 03.10.2015 DB-30

Competitors: 6



Results

Pos	Name
1	Saad DIKAJEV, Audentes
2	Jegor ZAITSEV, Buffen-do
3	Nikita JEGOROV, Buffen-do
3	Justus OJANNE, Tyrvöön Juro
5	Jan Kristjan TAMM, Taifu
5	Mihhail SHUR, Evail-Athletics
7	
7	



Tartu Sgisturniir 03.10.2015 DB-27

Competitors: 3

Competitors

#	Name	Grade	Club	1	2	3	Wins	Pts	Pos
1	Marek PRUUNS	?	Afina				0	0	3
2	Daniel JEREMEJEV	?	Dodze	5		10	2	15	1
3	Joosep KALMUS	?	Do	10			1	10	2

Matches

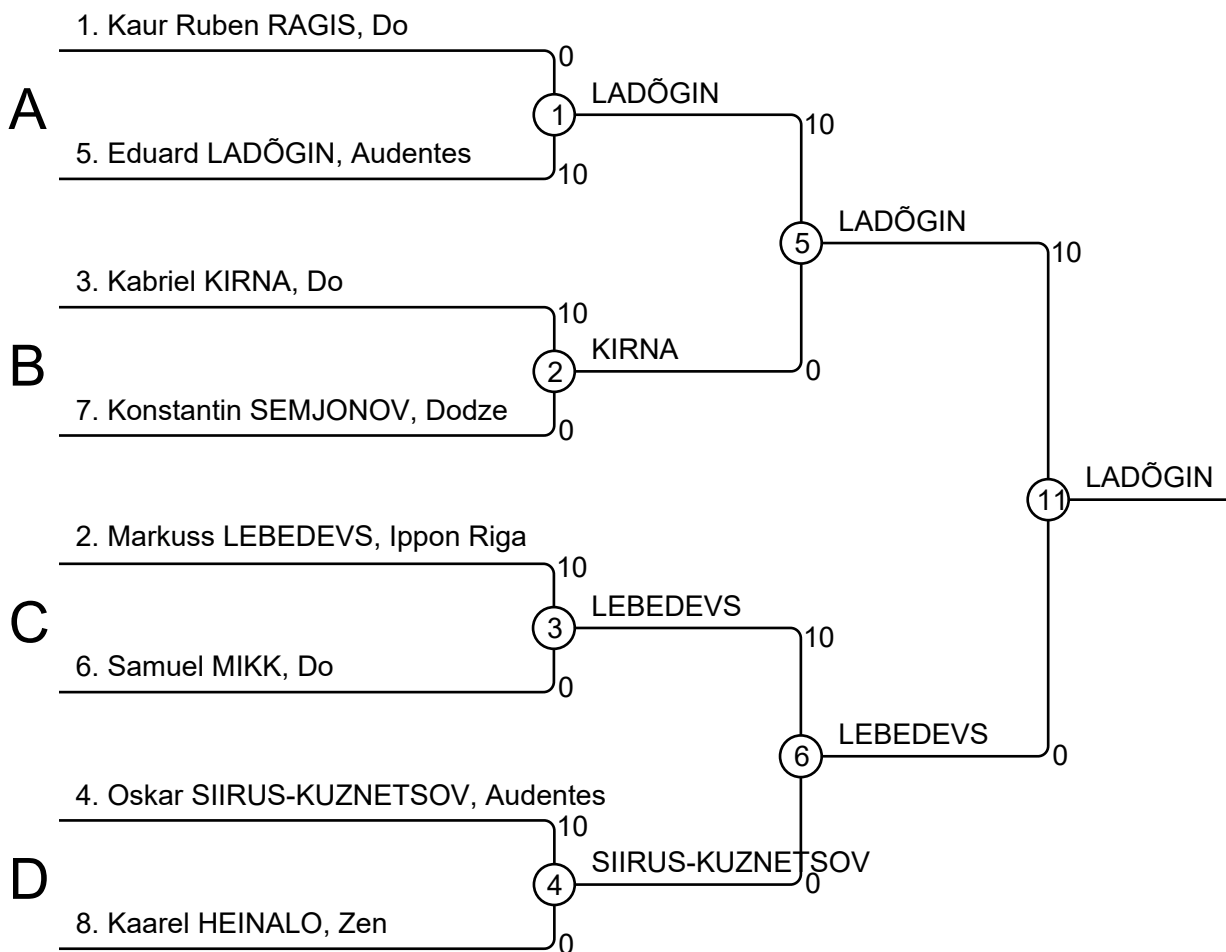
Match	White			Blue	Result	Time
1	Marek PRUUNS	1	2	Daniel JEREMEJEV	0 - 5	0:00
2	Marek PRUUNS	1	3	Joosep KALMUS	0 - 10	0:00
3	Daniel JEREMEJEV	2	3	Joosep KALMUS	10 - 0	0:00

Results

Pos	Name
1	Daniel JEREMEJEV, Dodze
2	Joosep KALMUS, Do
3	Marek PRUUNS, Afina

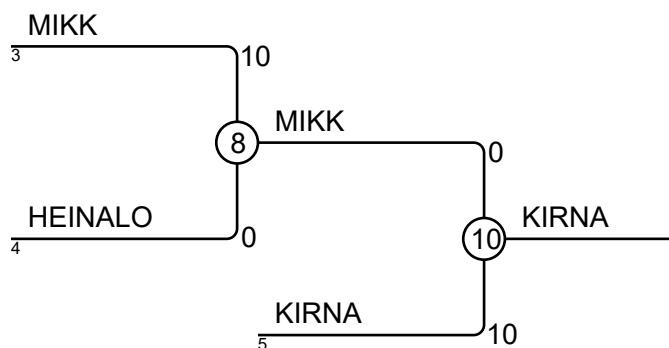
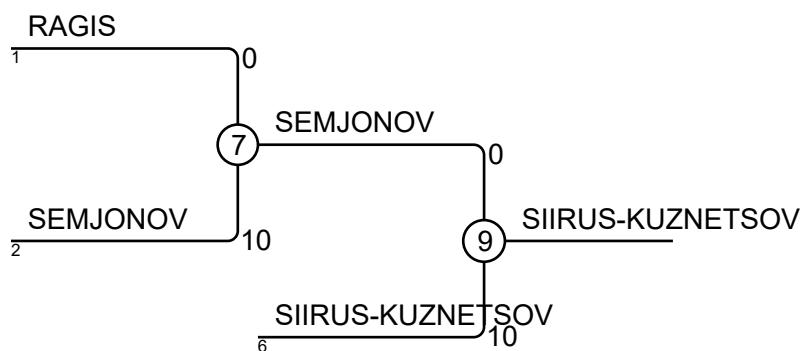
Tartu Sügisturniir 03.10.2015 DB+46

Competitors: 8



Results

Pos	Name
1	Eduard LADÕGIN, Audentes
2	Markuss LEBEDEVVS, Ippon Riga
3	Oskar SIIRUS-KUZNETSOV, Audentes
3	Kabriel KIRNA, Do
5	Konstantin SEMJONOV, Dodze
5	Samuel MIKK, Do
7	Kaur Ruben RAGIS, Do
7	Kaarel HEINALO, Zen



Tartu Sügisturniir 03.10.2015 CG-62

Competitors: 2

Competitors

#	Name	Grade	Club	1	2	Wins	Pts	Pos
1	Marleen MIKK	?	Audentes		10	1	10	1
2	Maria JAKIMOVA	?	Põhjakotkas			0	0	2

Matches

Match	White		Blue	Result	Time	
1	Marleen MIKK	1	2	Maria JAKIMOVA	10 - 0	0:00

Results

Pos	Name
1	Marleen MIKK, Audentes
2	Maria JAKIMOVA, Põhjakotkas

Tartu Sügisturniir 03.10.2015 CG-48

Competitors: 5

Competitors

#	Name	Grade	Club	1	2	3	4	5	Wins	Pts	Pos
1	Larina PIKULOVA	?	-		7	1			2	8	4
2	Liza KOROBEINIKOVA	?	Põhjakotkas			5	10		2	15	2
3	Marija SELEZNOVA	?	Ventspils						0	0	5
4	Vilena ARSHAKYAN	?	Audentes	7		1			2	8	3
5	Kristina BRJAKINA	?	Audentes	10	10	10	10		4	40	1

Matches

Match	White		Blue		Result	Time
1	Vilena ARSHAKYAN	4	5	Kristina BRJAKINA	0 - 10	0:00
2	Larina PIKULOVA	1	2	Liza KOROBEINIKOVA	7 - 0	0:00
3	Marija SELEZNOVA	3	4	Vilena ARSHAKYAN	0 - 1	0:00
4	Larina PIKULOVA	1	5	Kristina BRJAKINA	0 - 10	0:00
5	Liza KOROBEINIKOVA	2	3	Marija SELEZNOVA	5 - 0	0:00
6	Larina PIKULOVA	1	4	Vilena ARSHAKYAN	0 - 7	0:00
7	Marija SELEZNOVA	3	5	Kristina BRJAKINA	0 - 10	0:00
8	Liza KOROBEINIKOVA	2	4	Vilena ARSHAKYAN	10 - 0	0:00
9	Larina PIKULOVA	1	3	Marija SELEZNOVA	1 - 0	0:00
10	Liza KOROBEINIKOVA	2	5	Kristina BRJAKINA	0 - 10	0:00

Results

Pos	Name
1	Kristina BRJAKINA, Audentes
2	Liza KOROBEINIKOVA, Põhjakotkas
3	Vilena ARSHAKYAN, Audentes
4	Larina PIKULOVA, -
5	Marija SELEZNOVA, Ventspils

Tartu Sgisturniir 03.10.2015 CG+62

Competitors: 1

Competitors

#	Name	Grade	Club	1	Wins	Pts	Pos
1	Jelena KAPUSTINA	?	Afina		0	0	1

Matches

Match	White	Blue	Result	Time
-------	-------	------	--------	------

Results

Pos	Name
1	Jelena KAPUSTINA, Afina

Tartu Sügisturniir 03.10.2015 CB-70

Competitors: 5

Competitors

#	Name	Grade	Club	1	2	3	4	5	Wins	Pts	Pos
1	Glvi KOKHTASHVILI	?	-		10	10	10	10	4	40	1
2	Ramil LAGUNOV	?	Audentes			10		10	2	20	3
3	Daniil JAROŠEVITS	?	Dodze						0	0	5
4	Egert KERGE	?	Do		10	10		10	3	30	2
5	Kaur KANGUR	?	Zen			10			1	10	4

Matches

Match	White		Blue		Result	Time
1	Egert KERGE	4	5	Kaur KANGUR	10 - 0	0:00
2	Glvi KOKHTASHVILI	1	2	Ramil LAGUNOV	10 - 0	0:00
3	Daniil JAROŠEVITS	3	4	Egert KERGE	0 - 10	0:00
4	Glvi KOKHTASHVILI	1	5	Kaur KANGUR	10 - 0	0:00
5	Ramil LAGUNOV	2	3	Daniil JAROŠEVITS	10 - 0	0:00
6	Glvi KOKHTASHVILI	1	4	Egert KERGE	10 - 0	0:00
7	Daniil JAROŠEVITS	3	5	Kaur KANGUR	0 - 10	0:00
8	Ramil LAGUNOV	2	4	Egert KERGE	0 - 10	0:00
9	Glvi KOKHTASHVILI	1	3	Daniil JAROŠEVITS	10 - 0	0:00
10	Ramil LAGUNOV	2	5	Kaur KANGUR	10 - 0	0:00

Results

Pos	Name
1	Glvi KOKHTASHVILI, -
2	Egert KERGE, Do
3	Ramil LAGUNOV, Audentes
4	Kaur KANGUR, Zen
5	Daniil JAROŠEVITS, Dodze

Tartu Sügisturniir 03.10.2015 CB-62

Competitors: 4

Competitors

#	Name	Grade	Club	1	2	3	4	Wins	Pts	Pos
1	Martin OTTAS	?	Do					0	0	4
2	Ivan POKROVSKI	?	Evail-Athletics	10		10		2	20	2
3	Roman PAVLOV	?	Brigantina	10				1	10	3
4	Marek Marten RANNE	?	Zen	10	10	10		3	30	1

Matches

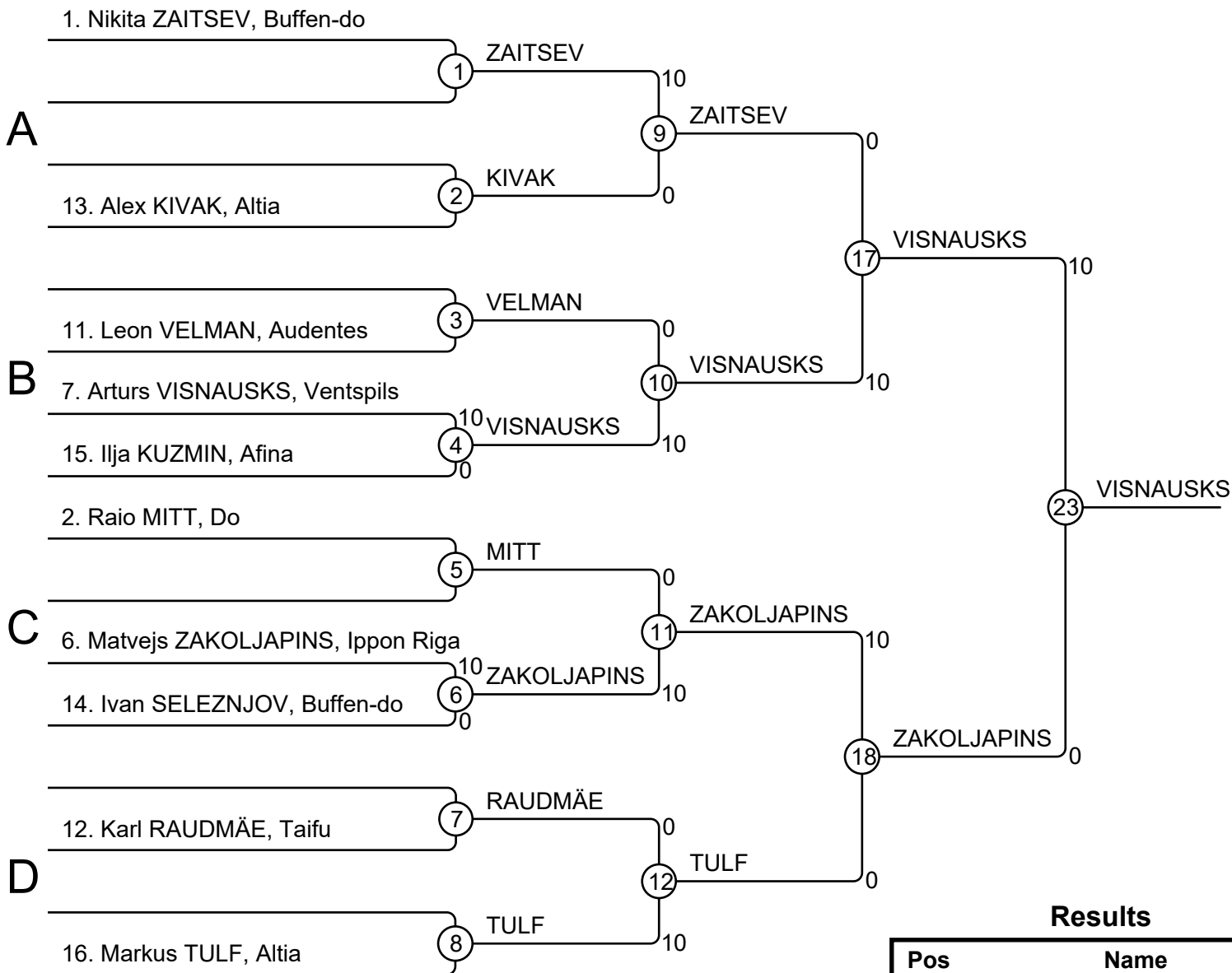
Match	White		Blue		Result	Time
1	Martin OTTAS	1	2	Ivan POKROVSKI	0 - 10	0:00
2	Roman PAVLOV	3	4	Marek Marten RANNE	0 - 10	0:00
3	Martin OTTAS	1	3	Roman PAVLOV	0 - 10	0:00
4	Ivan POKROVSKI	2	4	Marek Marten RANNE	0 - 10	0:00
5	Martin OTTAS	1	4	Marek Marten RANNE	0 - 10	0:00
6	Ivan POKROVSKI	2	3	Roman PAVLOV	10 - 0	0:00

Results

Pos	Name
1	Marek Marten RANNE, Zen
2	Ivan POKROVSKI, Evail-Athletics
3	Roman PAVLOV, Brigantina
4	Martin OTTAS, Do

Tartu Sügisturniir 03.10.2015 CB-55

Competitors: 10



Results

Pos	Name
1	Arturs VISNAUSKS, Ventspils
2	Matvejs ZAKOLJAPINS, Ippon Riga
3	Ilja KUZMIN, Afina
3	Karl RAUDMÄE, Taifu
5	Markus TULF, Altia
5	Nikita ZAITSEV, Buffen-do
7	Alex KIVAK, Altia
7	Ivan SELEZNJOV, Buffen-do

Tartu Sügisturniir 03.10.2015 CB-50

Competitors: 5

Competitors

#	Name	Grade	Club	1	2	3	4	5	Wins	Pts	Pos
1	Oskar SIIRUS-KUZNETSOV	?	Audentes						0	0	5
2	Ivo Ri Reijo MÄGISTE	?	-	10		7	10		3	27	2
3	Argo MÄGI	?	Zen	10			10		2	20	3
4	Anmar KNUUT	5.kyu	Taifu	10					1	10	4
5	Madis JÄRVE	?	Taifu	10	10	10	10		4	40	1

Matches

Match	White		Blue		Result	Time
1	Anmar KNUUT	4	5	Madis JÄRVE	0 - 10	0:00
2	Oskar SIIRUS-KUZNETSOV	1	2	Ivo Ri Reijo MÄGISTE	0 - 10	0:00
3	Argo MÄGI	3	4	Anmar KNUUT	10 - 0	0:00
4	Oskar SIIRUS-KUZNETSOV	1	5	Madis JÄRVE	0 - 10	0:00
5	Ivo Ri Reijo MÄGISTE	2	3	Argo MÄGI	7 - 0	0:00
6	Oskar SIIRUS-KUZNETSOV	1	4	Anmar KNUUT	0 - 10	0:00
7	Argo MÄGI	3	5	Madis JÄRVE	0 - 10	0:00
8	Ivo Ri Reijo MÄGISTE	2	4	Anmar KNUUT	10 - 0	0:00
9	Oskar SIIRUS-KUZNETSOV	1	3	Argo MÄGI	0 - 10	0:00
10	Ivo Ri Reijo MÄGISTE	2	5	Madis JÄRVE	0 - 10	0:00

Results

Pos	Name
1	Madis JÄRVE, Taifu
2	Ivo Ri Reijo MÄGISTE, -
3	Argo MÄGI, Zen
4	Anmar KNUUT, Taifu
5	Oskar SIIRUS-KUZNETSOV, Audentes

Tartu Sügisturniir 03.10.2015 CB-46

Competitors: 4

Competitors

#	Name	Grade	Club	1	2	3	4	Wins	Pts	Pos
1	Valentin NIKOLSKI	?	Audentes		5	10		2	15	2
2	Kenner SAAR	?	Taifu			5		1	5	3
3	Svante SAARI	?	Tyrvöön Juro					0	0	4
4	Randel PÄÄSTEL	?	-	1	1	7		3	9	1

Matches

Match	White	Blue	Result	Time
1	Valentin NIKOLSKI 1 2	Kenner SAAR	5 - 0	0:00
2	Svante SAARI 3 4	Randel PÄÄSTEL	0 - 7	0:00
3	Valentin NIKOLSKI 1 3	Svante SAARI	10 - 0	0:00
4	Kenner SAAR 2 4	Randel PÄÄSTEL	0 - 1	0:00
5	Valentin NIKOLSKI 1 4	Randel PÄÄSTEL	0 - 1	0:00
6	Kenner SAAR 2 3	Svante SAARI	5 - 0	0:00

Results

Pos	Name
1	Randel PÄÄSTEL, -
2	Valentin NIKOLSKI, Audentes
3	Kenner SAAR, Taifu
4	Svante SAARI, Tyrvöön Juro

Tartu Sūgisturniir 03.10.2015 CB-42

Competitors: 5

Competitors

#	Name	Grade	Club	1	2	3	4	5	Wins	Pts	Pos
1	Viljar LIPARD	?	Audentes		10	10	10	10	4	40	1
2	Artur JEREMEJEV	?	Dodze						0	0	5
3	Tomass URBANS-ORBANS	?	Ippon Riga		10		7	10	3	27	2
4	Artemi LARIONOV	?	Audentes		10			10	2	20	3
5	Martin GAPON	?	Audentes		10				1	10	4

Matches

Match	White		Blue		Result	Time
1	Artemi LARIONOV	4	5	Martin GAPON	10 - 0	0:00
2	Viljar LIPARD	1	2	Artur JEREMEJEV	10 - 0	0:00
3	Tomass URBANS-ORBANS	3	4	Artemi LARIONOV	7 - 0	0:00
4	Viljar LIPARD	1	5	Martin GAPON	10 - 0	0:00
5	Artur JEREMEJEV	2	3	Tomass URBANS-ORBANS	0 - 10	0:00
6	Viljar LIPARD	1	4	Artemi LARIONOV	10 - 0	0:00
7	Tomass URBANS-ORBANS	3	5	Martin GAPON	10 - 0	0:00
8	Artur JEREMEJEV	2	4	Artemi LARIONOV	0 - 10	0:00
9	Viljar LIPARD	1	3	Tomass URBANS-ORBANS	10 - 0	0:00
10	Artur JEREMEJEV	2	5	Martin GAPON	0 - 10	0:00

Results

Pos	Name
1	Viljar LIPARD, Audentes
2	Tomass URBANS-ORBANS, Ippon Riga
3	Artemi LARIONOV, Audentes
4	Martin GAPON, Audentes
5	Artur JEREMEJEV, Dodze

Tartu Sügisturniir 03.10.2015 CB-38

Competitors: 3

Competitors

#	Name	Grade	Club	1	2	3	Wins	Pts	Pos
1	Emir DIKAJEV	?	Audentes		10		1	10	2
2	Mattias SAUL	?	Do				0	0	3
3	Pihla SALONEN	?	Fudoshin	10	10		2	20	1

Matches

Match	White		Blue		Result	Time
1	Emir DIKAJEV	1	2	Mattias SAUL	10 - 0	0:00
2	Emir DIKAJEV	1	3	Pihla SALONEN	0 - 10	0:00
3	Mattias SAUL	2	3	Pihla SALONEN	0 - 10	0:00

Results

Pos	Name
1	Pihla SALONEN, Fudoshin
2	Emir DIKAJEV, Audentes
3	Mattias SAUL, Do

Tartu Sügisturniir 03.10.2015 CB-34

Competitors: 3

Competitors

#	Name	Grade	Club	1	2	3	Wins	Pts	Pos
1	Maria TARS	?	Do				0	0	3
2	Kaspar GUTMANN	?	Do	7			1	7	2
3	Richard LEPP	?	Rei	10	10		2	20	1

Matches

Match	White			Blue	Result	Time
1	Maria TARS	1	2	Kaspar GUTMANN	0 - 7	0:00
2	Maria TARS	1	3	Richard LEPP	0 - 10	0:00
3	Kaspar GUTMANN	2	3	Richard LEPP	0 - 10	0:00

Results

Pos	Name
1	Richard LEPP, Rei
2	Kaspar GUTMANN, Do
3	Maria TARS, Do

Tartu Sgisturniir 03.10.2015 CB+70

Competitors: 3

Competitors

#	Name	Grade	Club	1	2	3	Wins	Pts	Pos
1	Nikita KOROBOV	?	Dodze		10	10	2	20	1
2	Sten KASKMAN	?	Budolinn			10	1	10	2
3	Ivan DRANICHNIKOV	?	Dinamo Pskov				0	0	3

Matches

Match	White			Blue	Result	Time
1	Nikita KOROBOV	1	2	Sten KASKMAN	10 - 0	0:00
2	Nikita KOROBOV	1	3	Ivan DRANICHNIKOV	10 - 0	0:00
3	Sten KASKMAN	2	3	Ivan DRANICHNIKOV	10 - 0	0:00

Results

Pos	Name
1	Nikita KOROBOV, Dodze
2	Sten KASKMAN, Budolinn
3	Ivan DRANICHNIKOV, Dinamo Pskov

Tartu Sügisturniir 03.10.2015 E-21

Competitors: 3

Competitors

#	Name	Grade	Club	1	2	3	Wins	Pts	Pos
1	Markus SOE	?	Rei			7	1	7	3
2	Kermo VARIKMÄGI	?	Do	10			1	10	2
3	Aleksandr SAVKO	?	Ippon Kingisepp		10		1	10	1

Matches

Match	White		Blue		Result	Time
1	Markus SOE	1 2	Kermo VARIKMÄGI		0 - 10	0:00
2	Markus SOE	1 3	Aleksandr SAVKO		7 - 0	0:00
3	Kermo VARIKMÄGI	2 3	Aleksandr SAVKO		0 - 10	0:00

Results

Pos	Name
1	Aleksandr SAVKO, Ippon Kingisepp
2	Kermo VARIKMÄGI, Do
3	Markus SOE, Rei