

# XIV International Autumn Tournament 08.10.2016 CB +70

Competitors: 4

## Competitors

| # | Name              | Grade | Club     | 1  | 2  | 3 | 4  | Wins | Pts | Pos |
|---|-------------------|-------|----------|----|----|---|----|------|-----|-----|
| 1 | Samuel MIKK       | ?     | DO       |    |    |   |    | 0    | 0   | 4   |
| 2 | Martin TOOTS      | ?     | DO       | 10 |    |   |    | 1    | 10  | 3   |
| 3 | Daniil JAROŠEVITS | ?     | Dodze    | 10 | 10 |   | 10 | 3    | 30  | 1   |
| 4 | Eduard LADŌGIN    | ?     | Audentes | 5  | 10 |   |    | 2    | 15  | 2   |

## Matches

| Match | White             |   |   | Blue              | Result | Time |
|-------|-------------------|---|---|-------------------|--------|------|
| 1     | Samuel MIKK       | 1 | 2 | Martin TOOTS      | 0 - 10 | 0:00 |
| 2     | Daniil JAROŠEVITS | 3 | 4 | Eduard LADŌGIN    | 10 - 0 | 0:00 |
| 3     | Samuel MIKK       | 1 | 3 | Daniil JAROŠEVITS | 0 - 10 | 0:00 |
| 4     | Martin TOOTS      | 2 | 4 | Eduard LADŌGIN    | 0 - 10 | 0:00 |
| 5     | Samuel MIKK       | 1 | 4 | Eduard LADŌGIN    | 0 - 5  | 0:00 |
| 6     | Martin TOOTS      | 2 | 3 | Daniil JAROŠEVITS | 0 - 10 | 0:00 |

## Results

| Pos | Name                     |
|-----|--------------------------|
| 1   | Daniil JAROŠEVITS, Dodze |
| 2   | Eduard LADŌGIN, Audentes |
| 3   | Martin TOOTS, DO         |
| 4   | Samuel MIKK, DO          |

# XIV International Autumn Tournament 08.10.2016 CB-34

Competitors: 2

## Competitors

| # | Name         | Grade | Club     | 1 | 2  | 1 | 2  | 1 | 2 | Wins | Pts | Pos |
|---|--------------|-------|----------|---|----|---|----|---|---|------|-----|-----|
| 1 | Saad DIKAJEV | ?     | Audentes |   | 10 |   | 10 |   |   | 2    | 20  | 1   |
| 2 | Geron VIDDER | ?     | Taifu    |   |    |   |    |   |   | 0    | 0   | 2   |

## Matches

| Match | White        |   | Blue |              | Result | Time |
|-------|--------------|---|------|--------------|--------|------|
| 1     | Saad DIKAJEV | 1 | 2    | Geron VIDDER | 10 - 0 | 0:00 |
| 2     | Saad DIKAJEV | 1 | 2    | Geron VIDDER | 10 - 0 | 0:00 |
| 3     | Saad DIKAJEV | 1 | 2    | Geron VIDDER |        |      |

## Results

| Pos | Name                   |
|-----|------------------------|
| 1   | Saad DIKAJEV, Audentes |
| 2   | Geron VIDDER, Taifu    |

# XIV International Autumn Tournament 08.10.2016 CB-38

Competitors: 4

## Competitors

| # | Name             | Grade | Club                | 1  | 2  | 3 | 4  | Wins | Pts | Pos |
|---|------------------|-------|---------------------|----|----|---|----|------|-----|-----|
| 1 | Artur MEDRI      | ?     | Saaremaa Spordikool |    |    |   |    | 0    | 0   | 4   |
| 2 | Kaspar GUTMANN   | ?     | DO                  | 10 |    |   | 10 | 2    | 20  | 2   |
| 3 | Timur LESTSENSKI | ?     | Audentes            | 10 | 10 |   | 10 | 3    | 30  | 1   |
| 4 | Ott-Robin KARU   | ?     | Mikado              | 10 |    |   |    | 1    | 10  | 3   |

## Matches

| Match | White            |   |   | Blue             | Result | Time |
|-------|------------------|---|---|------------------|--------|------|
| 1     | Artur MEDRI      | 1 | 2 | Kaspar GUTMANN   | 0 - 10 | 0:00 |
| 2     | Timur LESTSENSKI | 3 | 4 | Ott-Robin KARU   | 10 - 0 | 0:00 |
| 3     | Artur MEDRI      | 1 | 3 | Timur LESTSENSKI | 0 - 10 | 0:00 |
| 4     | Kaspar GUTMANN   | 2 | 4 | Ott-Robin KARU   | 10 - 0 | 0:00 |
| 5     | Artur MEDRI      | 1 | 4 | Ott-Robin KARU   | 0 - 10 | 0:00 |
| 6     | Kaspar GUTMANN   | 2 | 3 | Timur LESTSENSKI | 0 - 10 | 0:00 |

## Results

| Pos | Name                             |
|-----|----------------------------------|
| 1   | Timur LESTSENSKI, Audentes       |
| 2   | Kaspar GUTMANN, DO               |
| 3   | Ott-Robin KARU, Mikado           |
| 4   | Artur MEDRI, Saaremaa Spordikool |

# XIV International Autumn Tournament 08.10.2016 CB-42

Competitors: 3

## Competitors

| # | Name            | Grade | Club     | 1  | 2 | 3  | Wins | Pts | Pos |
|---|-----------------|-------|----------|----|---|----|------|-----|-----|
| 1 | Rene ALTOSAR    | ?     | Budolinn |    |   | 10 | 1    | 10  | 2   |
| 2 | Artjom KANASKIN | ?     | Budolinn | 10 |   | 10 | 2    | 20  | 1   |
| 3 | Anna Liisa NURM | ?     | DO       |    |   |    | 0    | 0   | 3   |

## Matches

| Match | White           |   | Blue              | Result | Time |
|-------|-----------------|---|-------------------|--------|------|
| 1     | Rene ALTOSAR    | 1 | 2 Artjom KANASKIN | 0 - 10 | 0:00 |
| 2     | Rene ALTOSAR    | 1 | 3 Anna Liisa NURM | 10 - 0 | 0:00 |
| 3     | Artjom KANASKIN | 2 | 3 Anna Liisa NURM | 10 - 0 | 0:00 |

## Results

| Pos | Name                      |
|-----|---------------------------|
| 1   | Artjom KANASKIN, Budolinn |
| 2   | Rene ALTOSAR, Budolinn    |
| 3   | Anna Liisa NURM, DO       |

# XIV International Autumn Tournament 08.10.2016 CB-46

Competitors: 5

## Competitors

| # | Name               | Grade | Club     | 1  | 2  | 3  | 4  | 5 | Wins | Pts | Pos |
|---|--------------------|-------|----------|----|----|----|----|---|------|-----|-----|
| 1 | Ernests PUŠKUNDZIS | ?     | Ippon    |    |    | 10 |    |   | 1    | 10  | 4   |
| 2 | Konrad KUMM        | ?     | Audentes | 10 |    | 10 | 10 |   | 3    | 30  | 2   |
| 3 | Ilja DELJANSKI     | ?     | Mikado   |    |    |    | 10 |   | 1    | 10  | 5   |
| 4 | Martin GAPON       | ?     | Audentes | 10 |    |    |    |   | 1    | 10  | 3   |
| 5 | Viljar LIPARD      | ?     | Audentes | 10 | 10 | 10 | 10 |   | 4    | 40  | 1   |

## Matches

| Match | White              |   | Blue |                | Result | Time |
|-------|--------------------|---|------|----------------|--------|------|
| 1     | Martin GAPON       | 4 | 5    | Viljar LIPARD  | 0 - 10 | 0:00 |
| 2     | Ernests PUŠKUNDZIS | 1 | 2    | Konrad KUMM    | 0 - 10 | 0:00 |
| 3     | Ilja DELJANSKI     | 3 | 4    | Martin GAPON   | 10 - 0 | 0:00 |
| 4     | Ernests PUŠKUNDZIS | 1 | 5    | Viljar LIPARD  | 0 - 10 | 0:00 |
| 5     | Konrad KUMM        | 2 | 3    | Ilja DELJANSKI | 10 - 0 | 0:00 |
| 6     | Ernests PUŠKUNDZIS | 1 | 4    | Martin GAPON   | 0 - 10 | 0:00 |
| 7     | Ilja DELJANSKI     | 3 | 5    | Viljar LIPARD  | 0 - 10 | 0:00 |
| 8     | Konrad KUMM        | 2 | 4    | Martin GAPON   | 10 - 0 | 0:00 |
| 9     | Ernests PUŠKUNDZIS | 1 | 3    | Ilja DELJANSKI | 10 - 0 | 0:00 |
| 10    | Konrad KUMM        | 2 | 5    | Viljar LIPARD  | 0 - 10 | 0:00 |

## Results

| Pos | Name                      |
|-----|---------------------------|
| 1   | Viljar LIPARD, Audentes   |
| 2   | Konrad KUMM, Audentes     |
| 3   | Martin GAPON, Audentes    |
| 4   | Ernests PUŠKUNDZIS, Ippon |
| 5   | Ilja DELJANSKI, Mikado    |

# XIV International Autumn Tournament 08.10.2016 CB-50

Competitors: 2

## Competitors

| # | Name              | Grade | Club      | 1 | 2  | 1 | 2  | 1 | 2 | Wins | Pts | Pos |
|---|-------------------|-------|-----------|---|----|---|----|---|---|------|-----|-----|
| 1 | Valentin NIKOLSKI | ?     | Audentes  |   | 10 |   | 10 |   |   | 2    | 20  | 1   |
| 2 | Nikita FANFORA    | ?     | Buffen-Do |   |    |   |    |   |   | 0    | 0   | 2   |

## Matches

| Match | White             |   |   | Blue           | Result | Time |
|-------|-------------------|---|---|----------------|--------|------|
| 1     | Valentin NIKOLSKI | 1 | 2 | Nikita FANFORA | 10 - 0 | 0:00 |
| 2     | Valentin NIKOLSKI | 1 | 2 | Nikita FANFORA | 10 - 0 | 0:00 |
| 3     | Valentin NIKOLSKI | 1 | 2 | Nikita FANFORA |        |      |

## Results

| Pos | Name                        |
|-----|-----------------------------|
| 1   | Valentin NIKOLSKI, Audentes |
| 2   | Nikita FANFORA, Buffen-Do   |

# XIV International Autumn Tournament 08.10.2016 CB-55

Competitors: 5

## Competitors

| # | Name               | Grade | Club      | 1  | 2  | 3  | 4  | 5 | Wins | Pts | Pos |
|---|--------------------|-------|-----------|----|----|----|----|---|------|-----|-----|
| 1 | Daniil GAVRILIN    | ?     | Buffen-Do |    | 10 |    | 10 |   | 2    | 20  | 3   |
| 2 | Kaur KÕVA          | ?     | Võru REI  |    |    |    | 10 |   | 1    | 10  | 4   |
| 3 | Markuss LEBEDEVVS  | ?     | Ippon     | 10 | 10 |    | 10 |   | 3    | 30  | 2   |
| 4 | Raio MITT          | ?     | DO        |    |    |    |    |   | 0    | 0   | 5   |
| 5 | Karl Johannes PILT | ?     | DO        | 10 | 10 | 10 | 10 |   | 4    | 40  | 1   |

## Matches

| Match | White             | Blue                   | Result | Time |
|-------|-------------------|------------------------|--------|------|
| 1     | Raio MITT         | 4 5 Karl Johannes PILT | 0 - 10 | 0:00 |
| 2     | Daniil GAVRILIN   | 1 2 Kaur KÕVA          | 10 - 0 | 0:00 |
| 3     | Markuss LEBEDEVVS | 3 4 Raio MITT          | 10 - 0 | 0:00 |
| 4     | Daniil GAVRILIN   | 1 5 Karl Johannes PILT | 0 - 10 | 0:00 |
| 5     | Kaur KÕVA         | 2 3 Markuss LEBEDEVVS  | 0 - 10 | 0:00 |
| 6     | Daniil GAVRILIN   | 1 4 Raio MITT          | 10 - 0 | 0:00 |
| 7     | Markuss LEBEDEVVS | 3 5 Karl Johannes PILT | 0 - 10 | 0:00 |
| 8     | Kaur KÕVA         | 2 4 Raio MITT          | 10 - 0 | 0:00 |
| 9     | Daniil GAVRILIN   | 1 3 Markuss LEBEDEVVS  | 0 - 10 | 0:00 |
| 10    | Kaur KÕVA         | 2 5 Karl Johannes PILT | 0 - 10 | 0:00 |

## Results

| Pos | Name                       |
|-----|----------------------------|
| 1   | Karl Johannes PILT, DO     |
| 2   | Markuss LEBEDEVVS, Ippon   |
| 3   | Daniil GAVRILIN, Buffen-Do |
| 4   | Kaur KÕVA, Võru REI        |
| 5   | Raio MITT, DO              |

# XIV International Autumn Tournament 08.10.2016 CB-62

Competitors: 5

## Competitors

| # | Name                | Grade | Club     | 1  | 2 | 3  | 4  | 5  | Wins | Pts | Pos |
|---|---------------------|-------|----------|----|---|----|----|----|------|-----|-----|
| 1 | Konstantin SEMIONOV | ?     | Dodze    |    |   |    | 10 |    | 1    | 10  | 4   |
| 2 | Richards MUIŽNIEKS  | ?     | Ippon    | 10 |   | 10 | 10 | 10 | 4    | 40  | 1   |
| 3 | Leon VELMAN         | ?     | Audentes | 10 |   |    | 10 |    | 2    | 20  | 3   |
| 4 | Martin KOORT        | ?     | DO       |    |   |    |    |    | 0    | 0   | 5   |
| 5 | Argo MĀGI           | ?     | Zen      | 10 |   | 5  | 10 |    | 3    | 25  | 2   |

## Matches

| Match | White               |   | Blue |                    | Result | Time |
|-------|---------------------|---|------|--------------------|--------|------|
| 1     | Martin KOORT        | 4 | 5    | Argo MĀGI          | 0 - 10 | 0:00 |
| 2     | Konstantin SEMIONOV | 1 | 2    | Richards MUIŽNIEKS | 0 - 10 | 0:00 |
| 3     | Leon VELMAN         | 3 | 4    | Martin KOORT       | 10 - 0 | 0:00 |
| 4     | Konstantin SEMIONOV | 1 | 5    | Argo MĀGI          | 0 - 10 | 0:00 |
| 5     | Richards MUIŽNIEKS  | 2 | 3    | Leon VELMAN        | 10 - 0 | 0:00 |
| 6     | Konstantin SEMIONOV | 1 | 4    | Martin KOORT       | 10 - 0 | 0:00 |
| 7     | Leon VELMAN         | 3 | 5    | Argo MĀGI          | 0 - 5  | 0:00 |
| 8     | Richards MUIŽNIEKS  | 2 | 4    | Martin KOORT       | 10 - 0 | 0:00 |
| 9     | Konstantin SEMIONOV | 1 | 3    | Leon VELMAN        | 0 - 10 | 0:00 |
| 10    | Richards MUIŽNIEKS  | 2 | 5    | Argo MĀGI          | 10 - 0 | 0:00 |

## Results

| Pos | Name                       |
|-----|----------------------------|
| 1   | Richards MUIŽNIEKS, Ippon  |
| 2   | Argo MĀGI, Zen             |
| 3   | Leon VELMAN, Audentes      |
| 4   | Konstantin SEMIONOV, Dodze |
| 5   | Martin KOORT, DO           |



# XIV International Autumn Tournament 08.10.2016 CB-70

Competitors: 3

## Competitors

| # | Name         | Grade | Club      | 1  | 2 | 3  | Wins | Pts | Pos |
|---|--------------|-------|-----------|----|---|----|------|-----|-----|
| 1 | Eric BELSNER | ?     | Buffen-Do |    |   |    | 0    | 0   | 3   |
| 2 | Olegs PAŠINS | ?     | Ippon     | 10 |   | 10 | 2    | 20  | 1   |
| 3 | Martin OTTAS | ?     | DO        | 5  |   |    | 1    | 5   | 2   |

## Matches

| Match | White        |   | Blue           | Result | Time |
|-------|--------------|---|----------------|--------|------|
| 1     | Eric BELSNER | 1 | 2 Olegs PAŠINS | 0 - 10 | 0:00 |
| 2     | Eric BELSNER | 1 | 3 Martin OTTAS | 0 - 5  | 0:00 |
| 3     | Olegs PAŠINS | 2 | 3 Martin OTTAS | 10 - 0 | 0:00 |

## Results

| Pos | Name                    |
|-----|-------------------------|
| 1   | Olegs PAŠINS, Ippon     |
| 2   | Martin OTTAS, DO        |
| 3   | Eric BELSNER, Buffen-Do |

# XIV International Autumn Tournament 08.10.2016 CG +38

Competitors: 3

## Competitors

| # | Name            | Grade | Club | 1 | 2 | 3  | Wins | Pts | Pos |
|---|-----------------|-------|------|---|---|----|------|-----|-----|
| 1 | Anna Liisa NURM | ?     | DO   |   | 1 |    | 1    | 1   | 3   |
| 2 | Sandra ILVES    | ?     | DO   |   |   | 10 | 1    | 10  | 1   |
| 3 | Gettrin SAKS    | ?     | DO   | 1 |   |    | 1    | 1   | 2   |

## Matches

| Match | White           |   |   | Blue         | Result | Time |
|-------|-----------------|---|---|--------------|--------|------|
| 1     | Anna Liisa NURM | 1 | 2 | Sandra ILVES | 1 - 0  | 0:00 |
| 2     | Anna Liisa NURM | 1 | 3 | Gettrin SAKS | 0 - 1  | 0:00 |
| 3     | Sandra ILVES    | 2 | 3 | Gettrin SAKS | 10 - 0 | 0:00 |

## Results

| Pos | Name                |
|-----|---------------------|
| 1   | Sandra ILVES, DO    |
| 2   | Gettrin SAKS, DO    |
| 3   | Anna Liisa NURM, DO |

# XIV International Autumn Tournament 08.10.2016 CG-38

Competitors: 2

## Competitors

| # | Name        | Grade | Club                | 1 | 2 | 1 | 2  | 1 | 2  | Wins | Pts | Pos |
|---|-------------|-------|---------------------|---|---|---|----|---|----|------|-----|-----|
| 1 | Maria TARS  | ?     | DO                  |   |   |   | 10 |   | 10 | 2    | 20  | 1   |
| 2 | Kirke MEDRI | ?     | Saaremaa Spordikool | 7 |   |   |    |   |    | 1    | 7   | 2   |

## Matches

| Match | White      |   |   | Blue        | Result | Time |
|-------|------------|---|---|-------------|--------|------|
| 1     | Maria TARS | 1 | 2 | Kirke MEDRI | 0 - 7  | 0:00 |
| 2     | Maria TARS | 1 | 2 | Kirke MEDRI | 10 - 0 | 0:00 |
| 3     | Maria TARS | 1 | 2 | Kirke MEDRI | 10 - 0 | 0:00 |

## Results

| Pos | Name                             |
|-----|----------------------------------|
| 1   | Maria TARS, DO                   |
| 2   | Kirke MEDRI, Saaremaa Spordikool |

# XIV International Autumn Tournament 08.10.2016 DB +50

Competitors: 5

## Competitors

| # | Name             | Grade | Club                | 1  | 2  | 3  | 4 | 5  | Wins | Pts | Pos |
|---|------------------|-------|---------------------|----|----|----|---|----|------|-----|-----|
| 1 | Jevgeni LADÕGIN  | ?     | Audentes            |    | 10 | 10 |   | 10 | 3    | 30  | 2   |
| 2 | Kaarel HEINALO   | ?     | Zen                 |    |    |    |   |    | 0    | 0   | 5   |
| 3 | Romet RAAD       | ?     | Saaremaa Spordikool |    | 10 |    |   |    | 1    | 10  | 4   |
| 4 | Kabriel KIRNA    | ?     | DO                  | 10 | 10 | 10 |   | 10 | 4    | 40  | 1   |
| 5 | Kaur Ruben RAGIS | ?     | DO                  |    | 10 | 10 |   |    | 2    | 20  | 3   |

## Matches

| Match | White           | Blue                 | Result | Time |
|-------|-----------------|----------------------|--------|------|
| 1     | Kabriel KIRNA   | 4 5 Kaur Ruben RAGIS | 10 - 0 | 0:00 |
| 2     | Jevgeni LADÕGIN | 1 2 Kaarel HEINALO   | 10 - 0 | 0:00 |
| 3     | Romet RAAD      | 3 4 Kabriel KIRNA    | 0 - 10 | 0:00 |
| 4     | Jevgeni LADÕGIN | 1 5 Kaur Ruben RAGIS | 10 - 0 | 0:00 |
| 5     | Kaarel HEINALO  | 2 3 Romet RAAD       | 0 - 10 | 0:00 |
| 6     | Jevgeni LADÕGIN | 1 4 Kabriel KIRNA    | 0 - 10 | 0:00 |
| 7     | Romet RAAD      | 3 5 Kaur Ruben RAGIS | 0 - 10 | 0:00 |
| 8     | Kaarel HEINALO  | 2 4 Kabriel KIRNA    | 0 - 10 | 0:00 |
| 9     | Jevgeni LADÕGIN | 1 3 Romet RAAD       | 10 - 0 | 0:00 |
| 10    | Kaarel HEINALO  | 2 5 Kaur Ruben RAGIS | 0 - 10 | 0:00 |

## Results

| Pos | Name                            |
|-----|---------------------------------|
| 1   | Kabriel KIRNA, DO               |
| 2   | Jevgeni LADÕGIN, Audentes       |
| 3   | Kaur Ruben RAGIS, DO            |
| 4   | Romet RAAD, Saaremaa Spordikool |
| 5   | Kaarel HEINALO, Zen             |

# XIV International Autumn Tournament 08.10.2016 DB-27

Competitors: 4

## Competitors

| # | Name             | Grade | Club                | 1  | 2 | 3  | 4  | Wins | Pts | Pos |
|---|------------------|-------|---------------------|----|---|----|----|------|-----|-----|
| 1 | Simo LAOS        | ?     | Altia               |    |   | 10 | 10 | 2    | 20  | 2   |
| 2 | Marek PRUUNS     | ?     | Afina               | 10 |   | 10 | 10 | 3    | 30  | 1   |
| 3 | Filipp STSEKOTIN | ?     | Audentes            |    |   |    | 5  | 1    | 5   | 3   |
| 4 | Ramon MÄGI       | ?     | Saaremaa Spordikool |    |   |    |    | 0    | 0   | 4   |

## Matches

| Match | White            |   |   | Blue             | Result | Time |
|-------|------------------|---|---|------------------|--------|------|
| 1     | Simo LAOS        | 1 | 2 | Marek PRUUNS     | 0 - 10 | 0:00 |
| 2     | Filipp STSEKOTIN | 3 | 4 | Ramon MÄGI       | 5 - 0  | 0:00 |
| 3     | Simo LAOS        | 1 | 3 | Filipp STSEKOTIN | 10 - 0 | 0:00 |
| 4     | Marek PRUUNS     | 2 | 4 | Ramon MÄGI       | 10 - 0 | 0:00 |
| 5     | Simo LAOS        | 1 | 4 | Ramon MÄGI       | 10 - 0 | 0:00 |
| 6     | Marek PRUUNS     | 2 | 3 | Filipp STSEKOTIN | 10 - 0 | 0:00 |

## Results

| Pos | Name                            |
|-----|---------------------------------|
| 1   | Marek PRUUNS, Afina             |
| 2   | Simo LAOS, Altia                |
| 3   | Filipp STSEKOTIN, Audentes      |
| 4   | Ramon MÄGI, Saaremaa Spordikool |

# XIV International Autumn Tournament 08.10.2016 DB-30

Competitors: 6

## Competitors A

| # | Name                 | Grade | Club     | 1 | 2  | 3 | Wins | Pts | Pos |
|---|----------------------|-------|----------|---|----|---|------|-----|-----|
| 1 | Franz Steven SAARM   | ?     | DO       |   | 5  | 5 | 2    | 10  | 1   |
| 2 | Rihard Joosep KAHARD | ?     | Audentes |   |    |   | 0    | 0   | 3   |
| 3 | Andry AAVAST         | ?     | Barra    |   | 10 |   | 1    | 10  | 2   |

## Matches A

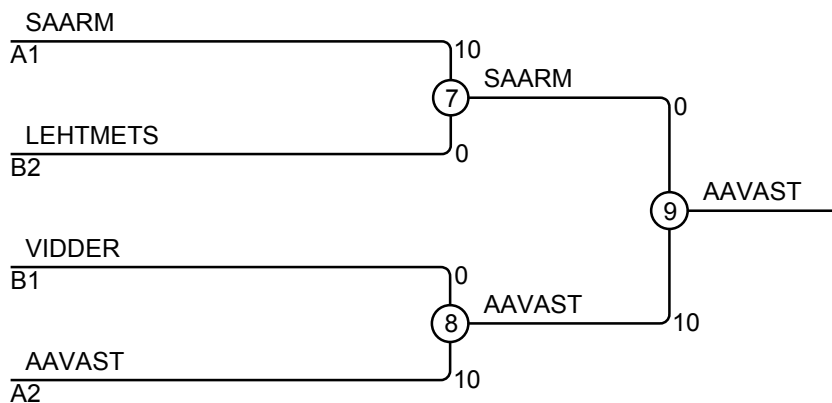
| Match | White                | Blue                     | Result | Time |
|-------|----------------------|--------------------------|--------|------|
| 1     | Franz Steven SAARM   | 1 2 Rihard Joosep KAHARD | 5 - 0  | 0:00 |
| 3     | Franz Steven SAARM   | 1 3 Andry AAVAST         | 5 - 0  | 0:00 |
| 5     | Rihard Joosep KAHARD | 2 3 Andry AAVAST         | 0 - 10 | 0:00 |

## Competitors B

| # | Name                 | Grade | Club  | 4  | 5 | 6  | Wins | Pts | Pos |
|---|----------------------|-------|-------|----|---|----|------|-----|-----|
| 4 | Joosep KALMUS        | ?     | DO    |    |   |    | 0    | 0   | 3   |
| 5 | Renert VIDDER        | ?     | Taifu | 1  |   | 10 | 2    | 11  | 1   |
| 6 | Kaur Robert LEHTMETS | ?     | Zen   | 10 |   |    | 1    | 10  | 2   |

## Matches B

| Match | White         | Blue                     | Result | Time |
|-------|---------------|--------------------------|--------|------|
| 2     | Joosep KALMUS | 4 5 Renert VIDDER        | 0 - 1  | 0:00 |
| 4     | Joosep KALMUS | 4 6 Kaur Robert LEHTMETS | 0 - 10 | 0:00 |
| 6     | Renert VIDDER | 5 6 Kaur Robert LEHTMETS | 10 - 0 | 0:00 |

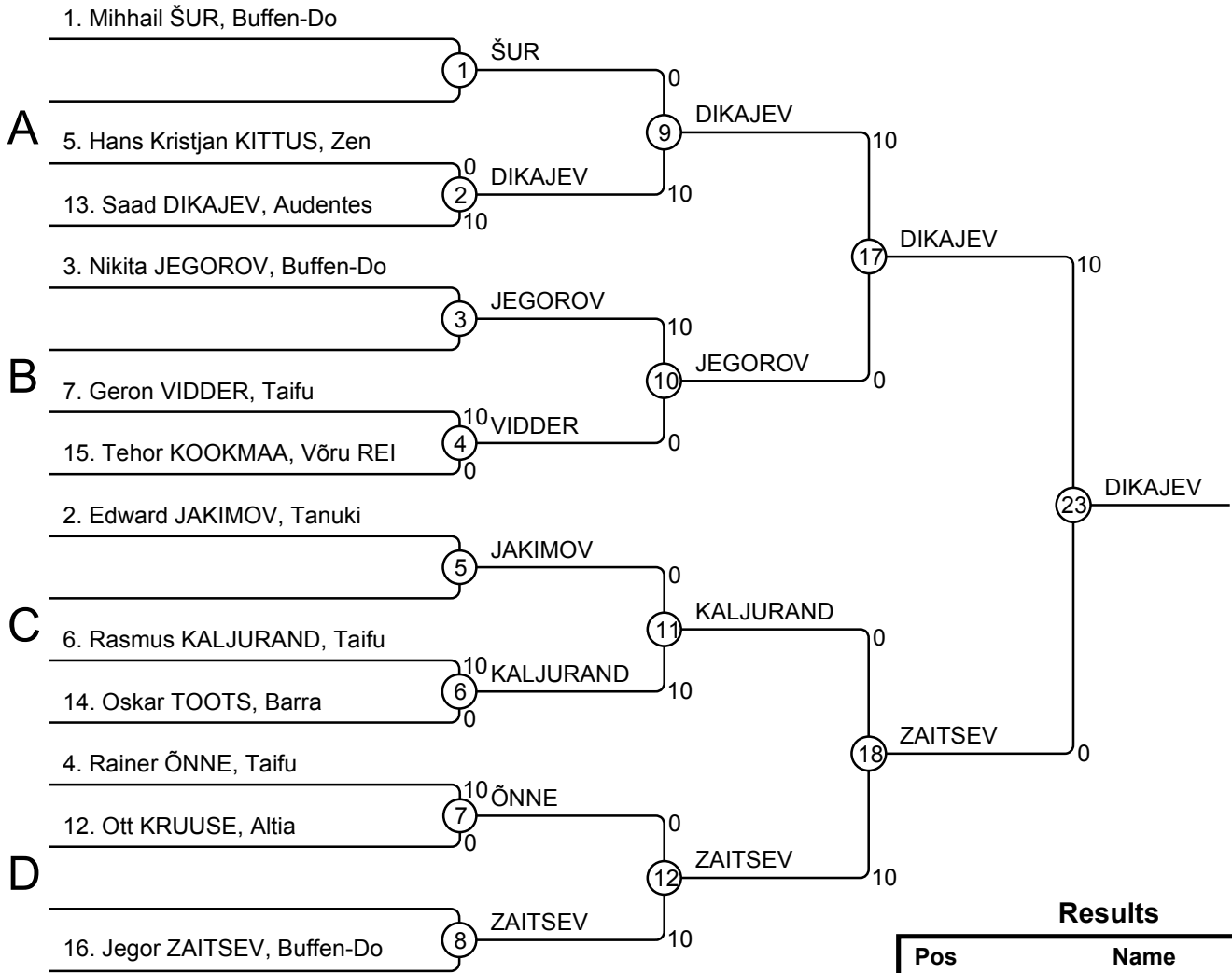


## Results

| Pos | Name                      |
|-----|---------------------------|
| 1   | Andry AAVAST, Barra       |
| 2   | Franz Steven SAARM, DO    |
| 3   | Kaur Robert LEHTMETS, Zen |
| 3   | Renert VIDDER, Taifu      |

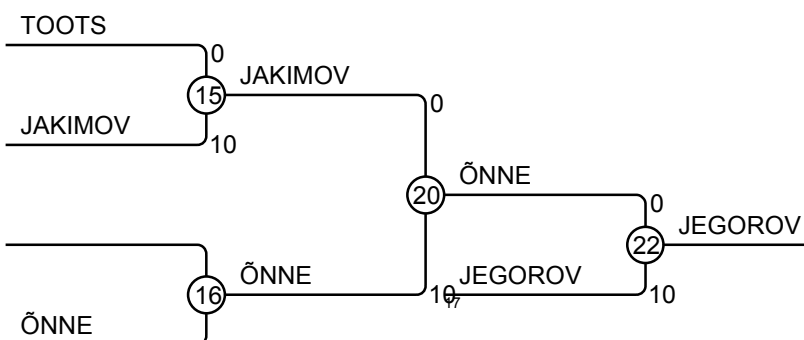
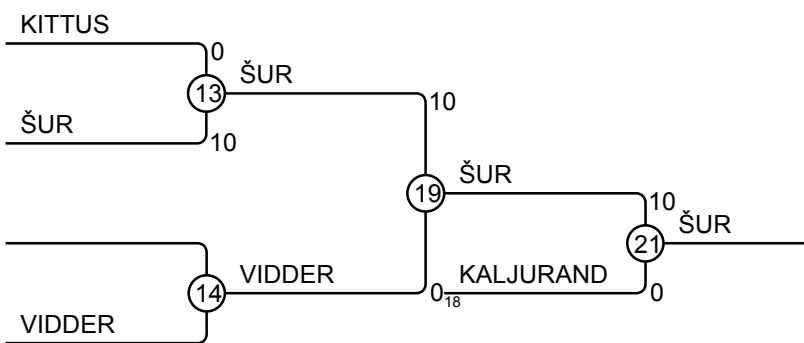
# XIV International Autumn Tournament 08.10.2016 DB-34

Competitors: 12



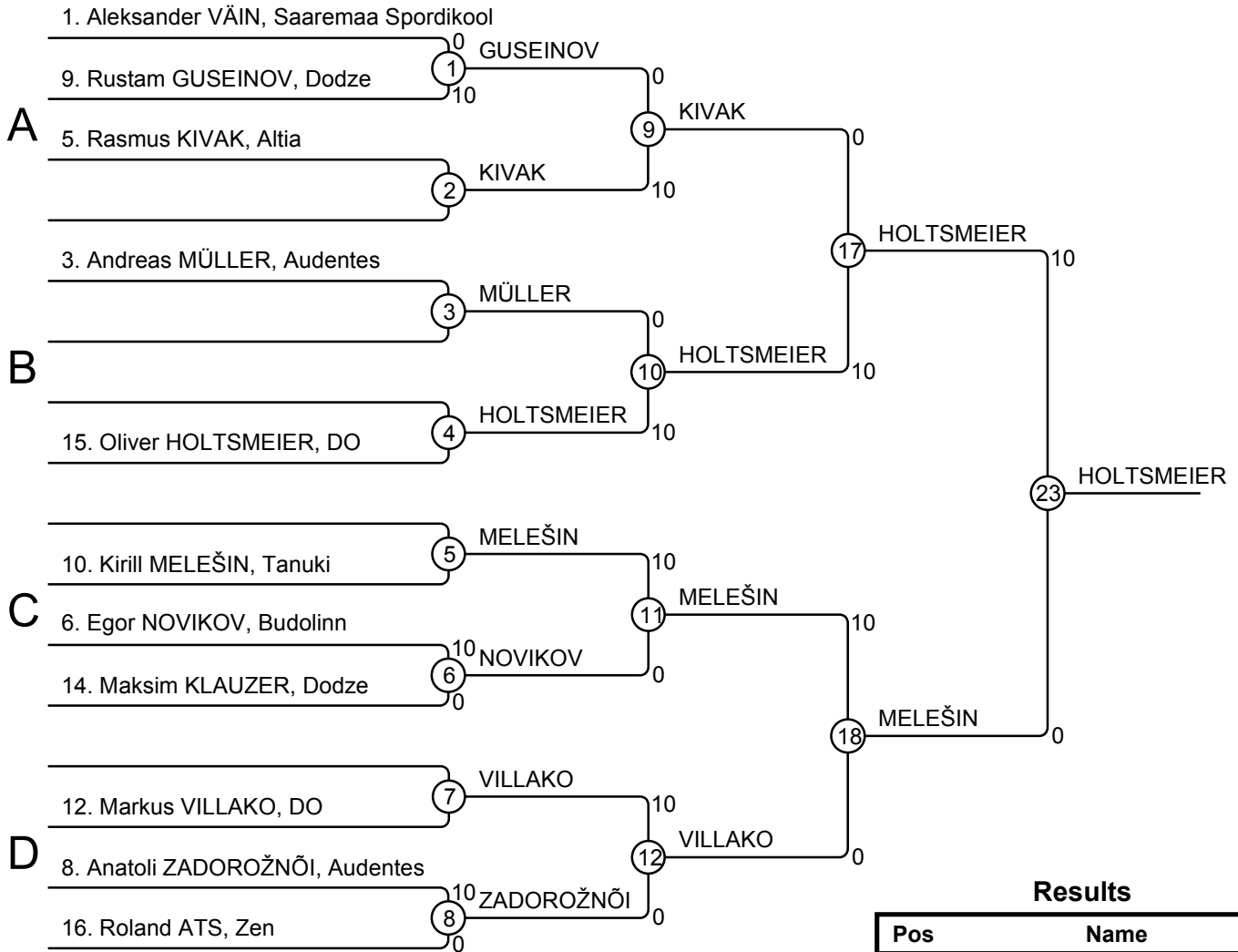
## Results

| Pos | Name                      |
|-----|---------------------------|
| 1   | Saad DIKAJEV, Audentes    |
| 2   | Jegor ZAITSEV, Buffen-Do  |
| 3   | Mihhail ŠUR, Buffen-Do    |
| 3   | Nikita JEGOROV, Buffen-Do |
| 5   | Rasmus KALJURAND, Taifu   |
| 5   | Rainer ÕNNE, Taifu        |
| 7   | Geron VIDDER, Taifu       |
| 7   | Edward JAKIMOV, Tanuki    |



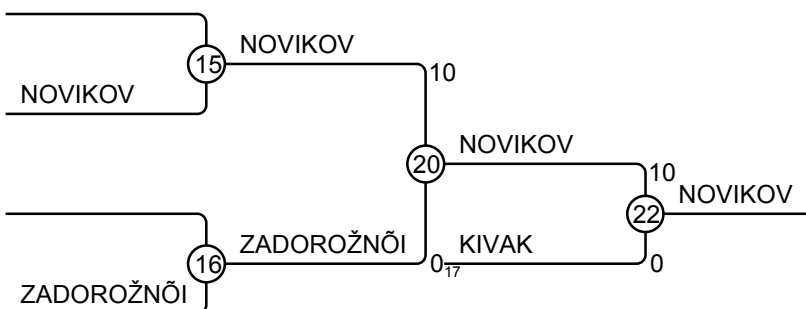
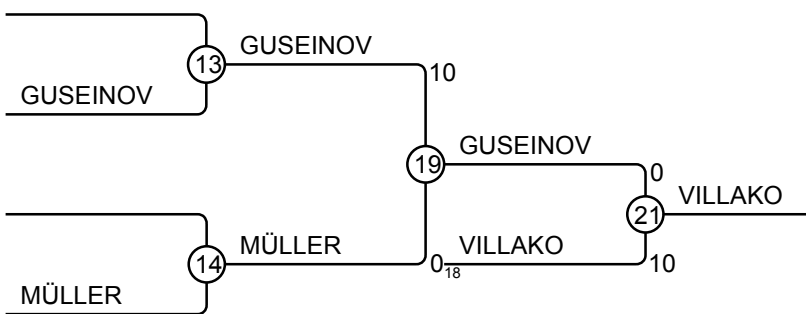
# XIV International Autumn Tournament 08.10.2016 DB-38

Competitors: 11



## Results

| Pos | Name                         |
|-----|------------------------------|
| 1   | Oliver HOLTSMEIER, DO        |
| 2   | Kirill MELEŠIN, Tanuki       |
| 3   | Markus VILLAKO, DO           |
| 3   | Egor NOVIKOV, Budolinn       |
| 5   | Rustam GUSEINOV, Dodze       |
| 5   | Rasmus KIVAK, Altia          |
| 7   | Andreas MÜLLER, Audentes     |
| 7   | Anatoli ZADOROŽNŌI, Audentes |





# XIV International Autumn Tournament 08.10.2016 DB-42

Competitors: 5

## Competitors

| # | Name                | Grade | Club      | 1 | 2  | 3  | 4  | 5  | Wins | Pts | Pos |
|---|---------------------|-------|-----------|---|----|----|----|----|------|-----|-----|
| 1 | Ivans MAKEJEVS      | ?     | Ippon     |   | 10 | 10 | 10 | 10 | 4    | 40  | 1   |
| 2 | Artjom TIŠTŠENKO    | ?     | Afina     |   |    |    | 10 |    | 1    | 10  | 4   |
| 3 | Aleksandr TREUMOV   | ?     | Buffen-Do |   | 10 |    | 10 |    | 2    | 20  | 3   |
| 4 | Marko Uku Tõdu MADI | ?     | DO        |   |    |    |    |    | 0    | 0   | 5   |
| 5 | Artur TÜRNAS        | ?     | DO        |   | 10 | 10 | 10 |    | 3    | 30  | 2   |

## Matches

| Match | White               |   | Blue |                     | Result | Time |
|-------|---------------------|---|------|---------------------|--------|------|
| 1     | Marko Uku Tõdu MADI | 4 | 5    | Artur TÜRNAS        | 0 - 10 | 0:00 |
| 2     | Ivans MAKEJEVS      | 1 | 2    | Artjom TIŠTŠENKO    | 10 - 0 | 0:00 |
| 3     | Aleksandr TREUMOV   | 3 | 4    | Marko Uku Tõdu MADI | 10 - 0 | 0:00 |
| 4     | Ivans MAKEJEVS      | 1 | 5    | Artur TÜRNAS        | 10 - 0 | 0:00 |
| 5     | Artjom TIŠTŠENKO    | 2 | 3    | Aleksandr TREUMOV   | 0 - 10 | 0:00 |
| 6     | Ivans MAKEJEVS      | 1 | 4    | Marko Uku Tõdu MADI | 10 - 0 | 0:00 |
| 7     | Aleksandr TREUMOV   | 3 | 5    | Artur TÜRNAS        | 0 - 10 | 0:00 |
| 8     | Artjom TIŠTŠENKO    | 2 | 4    | Marko Uku Tõdu MADI | 10 - 0 | 0:00 |
| 9     | Ivans MAKEJEVS      | 1 | 3    | Aleksandr TREUMOV   | 10 - 0 | 0:00 |
| 10    | Artjom TIŠTŠENKO    | 2 | 5    | Artur TÜRNAS        | 0 - 10 | 0:00 |

## Results

| Pos | Name                         |
|-----|------------------------------|
| 1   | Ivans MAKEJEVS, Ippon        |
| 2   | Artur TÜRNAS, DO             |
| 3   | Aleksandr TREUMOV, Buffen-Do |
| 4   | Artjom TIŠTŠENKO, Afina      |
| 5   | Marko Uku Tõdu MADI, DO      |

# XIV International Autumn Tournament 08.10.2016 DB-46

Competitors: 7

## Competitors A

| # | Name                  | Grade | Club   | 1  | 2  | 3 | 4  | Wins | Pts | Pos |
|---|-----------------------|-------|--------|----|----|---|----|------|-----|-----|
| 1 | Arseni IVANOV         | ?     | Tanuki |    |    |   | 10 | 1    | 10  | 3   |
| 2 | Jari-Matti SALONEN    | ?     | DO     | 10 |    |   | 10 | 2    | 20  | 2   |
| 3 | Andrejs VANAGS        | ?     | Ippon  | 10 | 10 |   | 10 | 3    | 30  | 1   |
| 4 | Rasmus Adrian LANKOTS | ?     | Zen    |    |    |   |    | 0    | 0   | 4   |

## Matches A

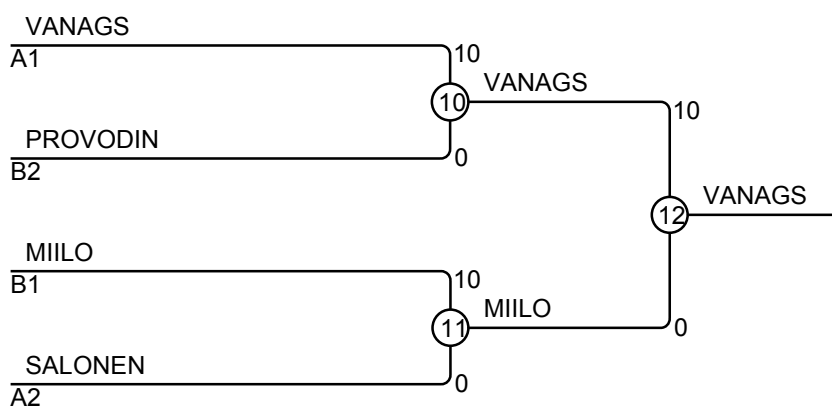
| Match | White                | Blue                    | Result | Time |
|-------|----------------------|-------------------------|--------|------|
| 1     | Arseni IVANOV 1      | Jari-Matti SALONEN 2    | 0 - 10 | 0:00 |
| 2     | Andrejs VANAGS 3     | Rasmus Adrian LANKOTS 4 | 10 - 0 | 0:00 |
| 4     | Arseni IVANOV 1      | Andrejs VANAGS 3        | 0 - 10 | 0:00 |
| 5     | Jari-Matti SALONEN 2 | Rasmus Adrian LANKOTS 4 | 10 - 0 | 0:00 |
| 7     | Arseni IVANOV 1      | Rasmus Adrian LANKOTS 4 | 10 - 0 | 0:00 |
| 8     | Jari-Matti SALONEN 2 | Andrejs VANAGS 3        | 0 - 10 | 0:00 |

## Competitors B

| # | Name             | Grade | Club                | 5  | 6 | 7  | Wins | Pts | Pos |
|---|------------------|-------|---------------------|----|---|----|------|-----|-----|
| 5 | Georg PAOMEES    | ?     | Saaremaa Spordikool |    |   |    | 0    | 0   | 3   |
| 6 | Kert Erman MIILO | ?     | Audentes            | 10 |   | 10 | 2    | 20  | 1   |
| 7 | Sasa PROVODIN    | ?     | Budolinn            | 10 |   |    | 1    | 10  | 2   |

## Matches B

| Match | White              | Blue               | Result | Time |
|-------|--------------------|--------------------|--------|------|
| 3     | Georg PAOMEES 5    | Kert Erman MIILO 6 | 0 - 10 | 0:00 |
| 6     | Georg PAOMEES 5    | Sasa PROVODIN 7    | 0 - 10 | 0:00 |
| 9     | Kert Erman MIILO 6 | Sasa PROVODIN 7    | 10 - 0 | 0:00 |



## Results

| Pos | Name                       |
|-----|----------------------------|
| 1   | Andrejs VANAGS, Ippon      |
| 2   | Kert Erman MIILO, Audentes |
| 3   | Sasa PROVODIN, Budolinn    |
| 3   | Jari-Matti SALONEN, DO     |

# XIV International Autumn Tournament 08.10.2016 DB-50

Competitors: 6

## Competitors A

| # | Name         | Grade | Club     | 1 | 2  | 3  | Wins | Pts | Pos |
|---|--------------|-------|----------|---|----|----|------|-----|-----|
| 1 | Siim LAOS    | ?     | Altia    |   | 10 | 10 | 2    | 20  | 1   |
| 2 | Markkus OTTI | ?     | Zen      |   |    | 10 | 1    | 10  | 2   |
| 3 | Taago SILMA  | ?     | Audentes |   |    |    | 0    | 0   | 3   |

## Matches A

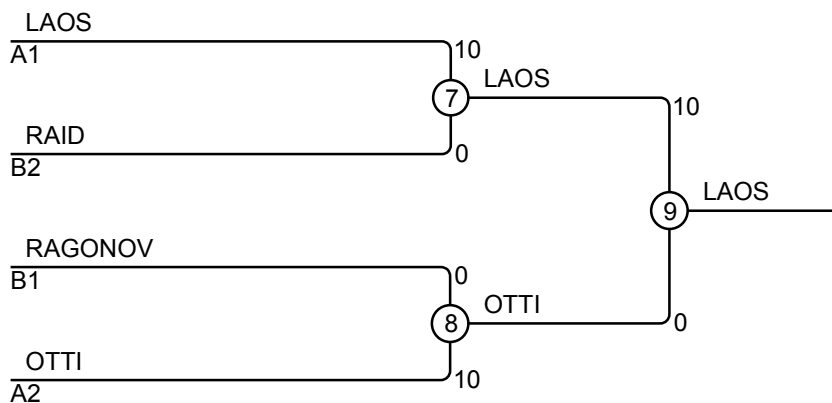
| Match | White        | Blue             | Result | Time |
|-------|--------------|------------------|--------|------|
| 1     | Siim LAOS    | 1 2 Markkus OTTI | 10 - 0 | 0:00 |
| 3     | Siim LAOS    | 1 3 Taago SILMA  | 10 - 0 | 0:00 |
| 5     | Markkus OTTI | 2 3 Taago SILMA  | 10 - 0 | 0:00 |

## Competitors B

| # | Name           | Grade | Club     | 4  | 5  | 6 | Wins | Pts | Pos |
|---|----------------|-------|----------|----|----|---|------|-----|-----|
| 4 | Ako Armin RAID | ?     | Zen      |    | 10 |   | 1    | 10  | 2   |
| 5 | Uku NEEME      | ?     | DO       |    |    |   | 0    | 0   | 3   |
| 6 | Igor RAGONOV   | ?     | Budolinn | 10 | 10 |   | 2    | 20  | 1   |

## Matches B

| Match | White          | Blue             | Result | Time |
|-------|----------------|------------------|--------|------|
| 2     | Ako Armin RAID | 4 5 Uku NEEME    | 10 - 0 | 0:00 |
| 4     | Ako Armin RAID | 4 6 Igor RAGONOV | 0 - 10 | 0:00 |
| 6     | Uku NEEME      | 5 6 Igor RAGONOV | 0 - 10 | 0:00 |



## Results

| Pos | Name                   |
|-----|------------------------|
| 1   | Siim LAOS, Altia       |
| 2   | Markkus OTTI, Zen      |
| 3   | Ako Armin RAID, Zen    |
| 3   | Igor RAGONOV, Budolinn |

# XIV International Autumn Tournament 08.10.2016 DG -35

Competitors: 4

## Competitors

| # | Name            | Grade | Club      | 1 | 2  | 3  | 4  | Wins | Pts | Pos |
|---|-----------------|-------|-----------|---|----|----|----|------|-----|-----|
| 1 | Alise BULJONE   | ?     | Ippon     |   | 10 | 10 | 10 | 3    | 30  | 1   |
| 2 | Viktorija KOVŠA | ?     | Ippon     |   |    | 10 | 10 | 2    | 20  | 2   |
| 3 | Aljona SAZONOVA | ?     | Buffen-Do |   |    |    | 10 | 1    | 10  | 3   |
| 4 | Lisete OOL      | ?     | Zen       |   |    |    |    | 0    | 0   | 4   |

## Matches

| Match | White           | Blue                | Result | Time |
|-------|-----------------|---------------------|--------|------|
| 1     | Alise BULJONE   | 1 2 Viktorija KOVŠA | 10 - 0 | 0:00 |
| 2     | Aljona SAZONOVA | 3 4 Lisete OOL      | 10 - 0 | 0:00 |
| 3     | Alise BULJONE   | 1 3 Aljona SAZONOVA | 10 - 0 | 0:00 |
| 4     | Viktorija KOVŠA | 2 4 Lisete OOL      | 10 - 0 | 0:00 |
| 5     | Alise BULJONE   | 1 4 Lisete OOL      | 10 - 0 | 0:00 |
| 6     | Viktorija KOVŠA | 2 3 Aljona SAZONOVA | 10 - 0 | 0:00 |

## Results

| Pos | Name                        |
|-----|-----------------------------|
| 1   | Alise BULJONE, Ippon        |
| 2   | Viktorija KOVŠA, Ippon      |
| 3   | Aljona SAZONOVA , Buffen-Do |
| 4   | Lisete OOL, Zen             |

# XIV International Autumn Tournament 08.10.2016 DG -43

Competitors: 3

## Competitors

| # | Name                | Grade | Club      | 1  | 2  | 3 | Wins | Pts | Pos |
|---|---------------------|-------|-----------|----|----|---|------|-----|-----|
| 1 | Olga PROŠKINA       | ?     | Bushinkan |    |    |   | 0    | 0   | 3   |
| 2 | Pille RANDLANE      | ?     | Zen       | 10 |    |   | 1    | 10  | 2   |
| 3 | Jekaterina BRJAKINA | ?     | Audentes  | 10 | 10 |   | 2    | 20  | 1   |

## Matches

| Match | White          |   |   | Blue                | Result | Time |
|-------|----------------|---|---|---------------------|--------|------|
| 1     | Olga PROŠKINA  | 1 | 2 | Pille RANDLANE      | 0 - 10 | 0:00 |
| 2     | Olga PROŠKINA  | 1 | 3 | Jekaterina BRJAKINA | 0 - 10 | 0:00 |
| 3     | Pille RANDLANE | 2 | 3 | Jekaterina BRJAKINA | 0 - 10 | 0:00 |

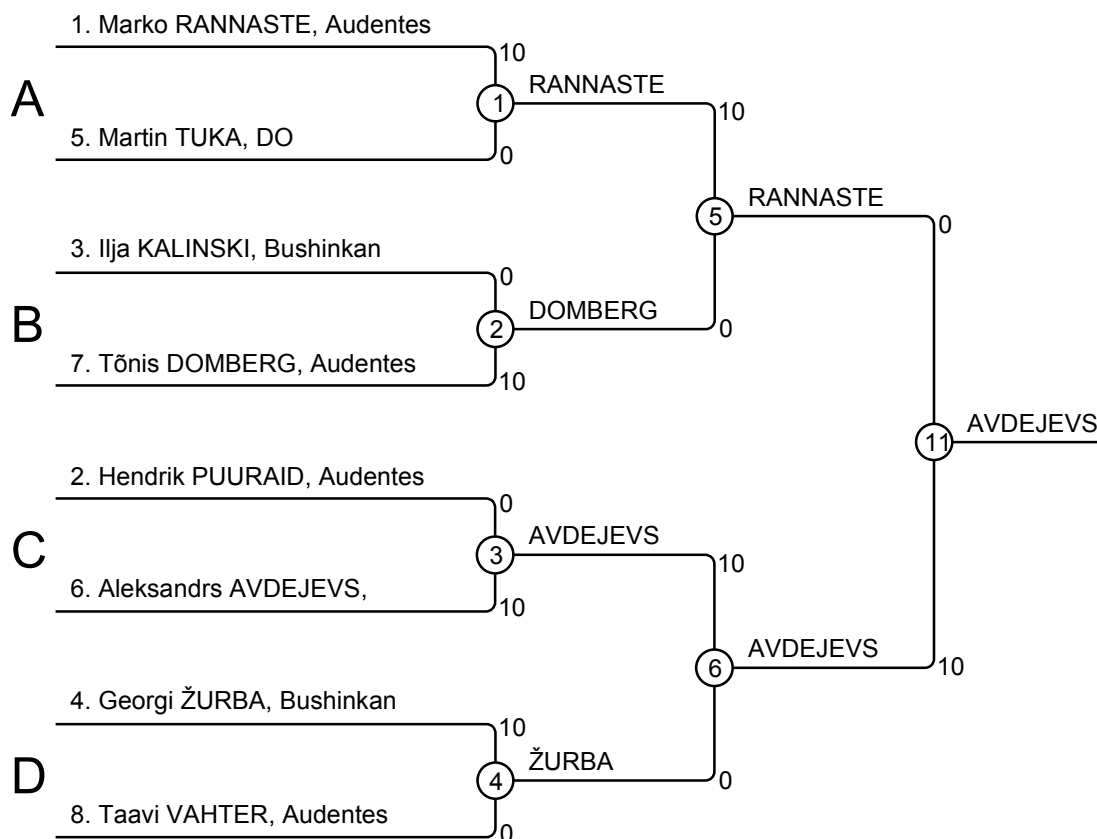
## Results

| Pos | Name                          |
|-----|-------------------------------|
| 1   | Jekaterina BRJAKINA, Audentes |
| 2   | Pille RANDLANE, Zen           |
| 3   | Olga PROŠKINA, Bushinkan      |

# XIV International Autumn Tournament 08.10.2016

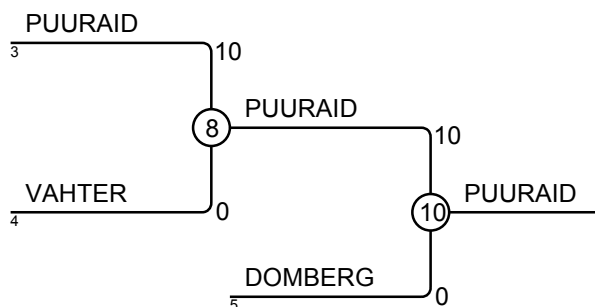
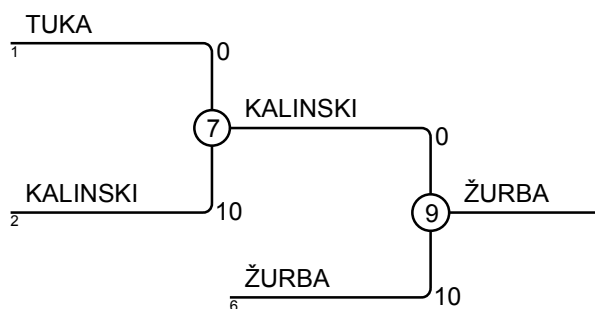
# EB +38

Competitors: 8



## Results

| Pos | Name                       |
|-----|----------------------------|
| 1   | Aleksandrs AVDEJEVS,       |
| 2   | Marko RANNASTE, Audentes   |
| 3   | Georgi ŽURBA, Bushinkan    |
| 3   | Hendrik PUURAIID, Audentes |
| 5   | Ilja KALINSKI, Bushinkan   |
| 5   | Tõnis DOMBERG, Audentes    |
| 7   | Martin TUKA, DO            |
| 7   | Taavi VAHTER, Audentes     |



# XIV International Autumn Tournament 08.10.2016 EB-23

Competitors: 5

## Competitors

| # | Name             | Grade | Club     | 1  | 2  | 3  | 4  | 5 | Wins | Pts | Pos |
|---|------------------|-------|----------|----|----|----|----|---|------|-----|-----|
| 1 | Marvet KIRS      | ?     | DO       |    |    | 10 | 10 |   | 2    | 20  | 3   |
| 2 | Taaniel RAUD     | ?     | Audentes | 10 |    | 10 | 10 |   | 3    | 30  | 2   |
| 3 | Artemi JEREMEJEV | ?     | Dodze    |    |    |    |    |   | 0    | 0   | 5   |
| 4 | Sten TROMMEL     | ?     | Võru REI |    |    | 10 |    |   | 1    | 10  | 4   |
| 5 | Markus SOE       | ?     | Võru REI | 10 | 10 | 10 | 10 |   | 4    | 40  | 1   |

## Matches

| Match | White            | Blue                 | Result | Time |
|-------|------------------|----------------------|--------|------|
| 1     | Sten TROMMEL     | 4 5 Markus SOE       | 0 - 10 | 0:00 |
| 2     | Marvet KIRS      | 1 2 Taaniel RAUD     | 0 - 10 | 0:00 |
| 3     | Artemi JEREMEJEV | 3 4 Sten TROMMEL     | 0 - 10 | 0:00 |
| 4     | Marvet KIRS      | 1 5 Markus SOE       | 0 - 10 | 0:00 |
| 5     | Taaniel RAUD     | 2 3 Artemi JEREMEJEV | 10 - 0 | 0:00 |
| 6     | Marvet KIRS      | 1 4 Sten TROMMEL     | 10 - 0 | 0:00 |
| 7     | Artemi JEREMEJEV | 3 5 Markus SOE       | 0 - 10 | 0:00 |
| 8     | Taaniel RAUD     | 2 4 Sten TROMMEL     | 10 - 0 | 0:00 |
| 9     | Marvet KIRS      | 1 3 Artemi JEREMEJEV | 10 - 0 | 0:00 |
| 10    | Taaniel RAUD     | 2 5 Markus SOE       | 0 - 10 | 0:00 |

## Results

| Pos | Name                    |
|-----|-------------------------|
| 1   | Markus SOE, Võru REI    |
| 2   | Taaniel RAUD, Audentes  |
| 3   | Marvet KIRS, DO         |
| 4   | Sten TROMMEL, Võru REI  |
| 5   | Artemi JEREMEJEV, Dodze |

# XIV International Autumn Tournament 08.10.2016 EB-25

Competitors: 5

## Competitors

| # | Name               | Grade | Club   | 1 | 2  | 3  | 4  | 5  | Wins | Pts | Pos |
|---|--------------------|-------|--------|---|----|----|----|----|------|-----|-----|
| 1 | German KALISTRATOV | ?     | Tanuki |   | 10 | 10 | 10 | 10 | 4    | 40  | 1   |
| 2 | Ragnar MÄGI        | ?     | Altia  |   |    |    | 10 |    | 1    | 10  | 4   |
| 3 | Ian Hugu LEHTORG   | ?     | Barra  |   | 10 |    | 10 |    | 2    | 20  | 3   |
| 4 | Nikita TSIP        | ?     | Zen    |   |    |    |    |    | 0    | 0   | 5   |
| 5 | Rolan OMELIN       | ?     | Dodze  |   | 10 | 10 | 10 |    | 3    | 30  | 2   |

## Matches

| Match | White              |   | Blue |                  | Result | Time |
|-------|--------------------|---|------|------------------|--------|------|
| 1     | Nikita TSIP        | 4 | 5    | Rolan OMELIN     | 0 - 10 | 0:00 |
| 2     | German KALISTRATOV | 1 | 2    | Ragnar MÄGI      | 10 - 0 | 0:00 |
| 3     | Ian Hugu LEHTORG   | 3 | 4    | Nikita TSIP      | 10 - 0 | 0:00 |
| 4     | German KALISTRATOV | 1 | 5    | Rolan OMELIN     | 10 - 0 | 0:00 |
| 5     | Ragnar MÄGI        | 2 | 3    | Ian Hugu LEHTORG | 0 - 10 | 0:00 |
| 6     | German KALISTRATOV | 1 | 4    | Nikita TSIP      | 10 - 0 | 0:00 |
| 7     | Ian Hugu LEHTORG   | 3 | 5    | Rolan OMELIN     | 0 - 10 | 0:00 |
| 8     | Ragnar MÄGI        | 2 | 4    | Nikita TSIP      | 10 - 0 | 0:00 |
| 9     | German KALISTRATOV | 1 | 3    | Ian Hugu LEHTORG | 10 - 0 | 0:00 |
| 10    | Ragnar MÄGI        | 2 | 5    | Rolan OMELIN     | 0 - 10 | 0:00 |

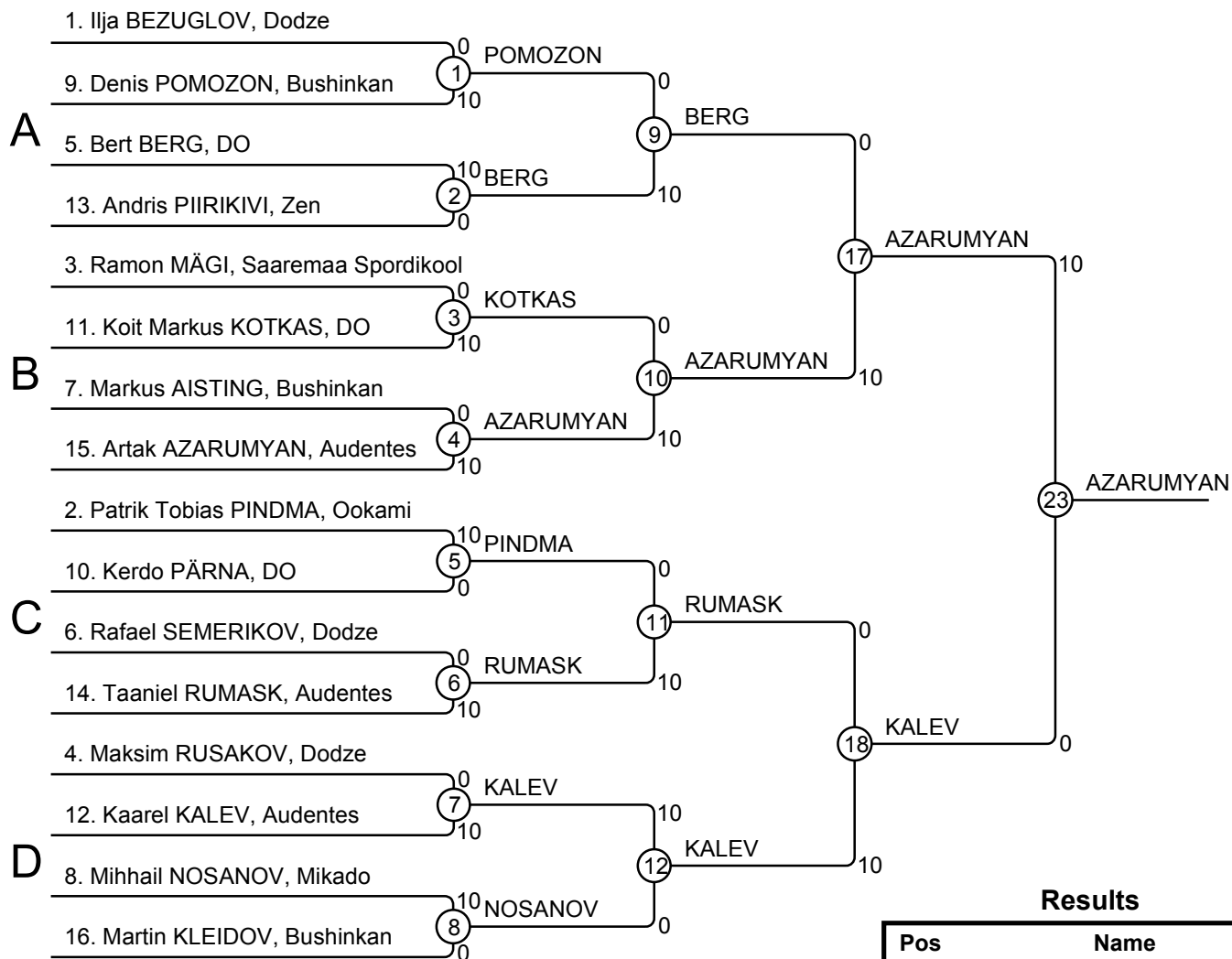
## Results

| Pos | Name                       |
|-----|----------------------------|
| 1   | German KALISTRATOV, Tanuki |
| 2   | Rolan OMELIN, Dodze        |
| 3   | Ian Hugu LEHTORG, Barra    |
| 4   | Ragnar MÄGI, Altia         |
| 5   | Nikita TSIP, Zen           |



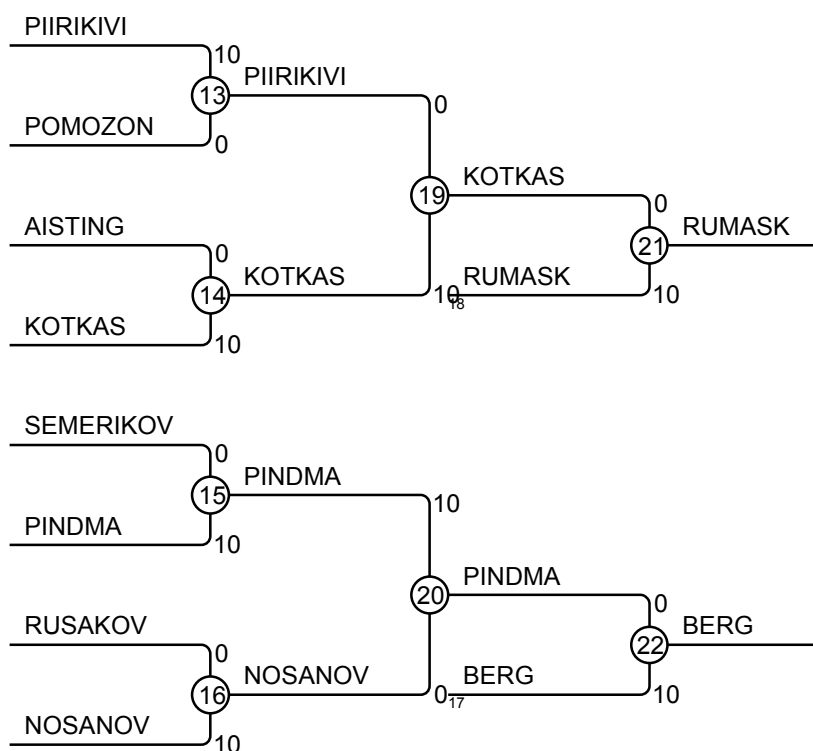
# XIV International Autumn Tournament 08.10.2016 EB-27

Competitors: 16



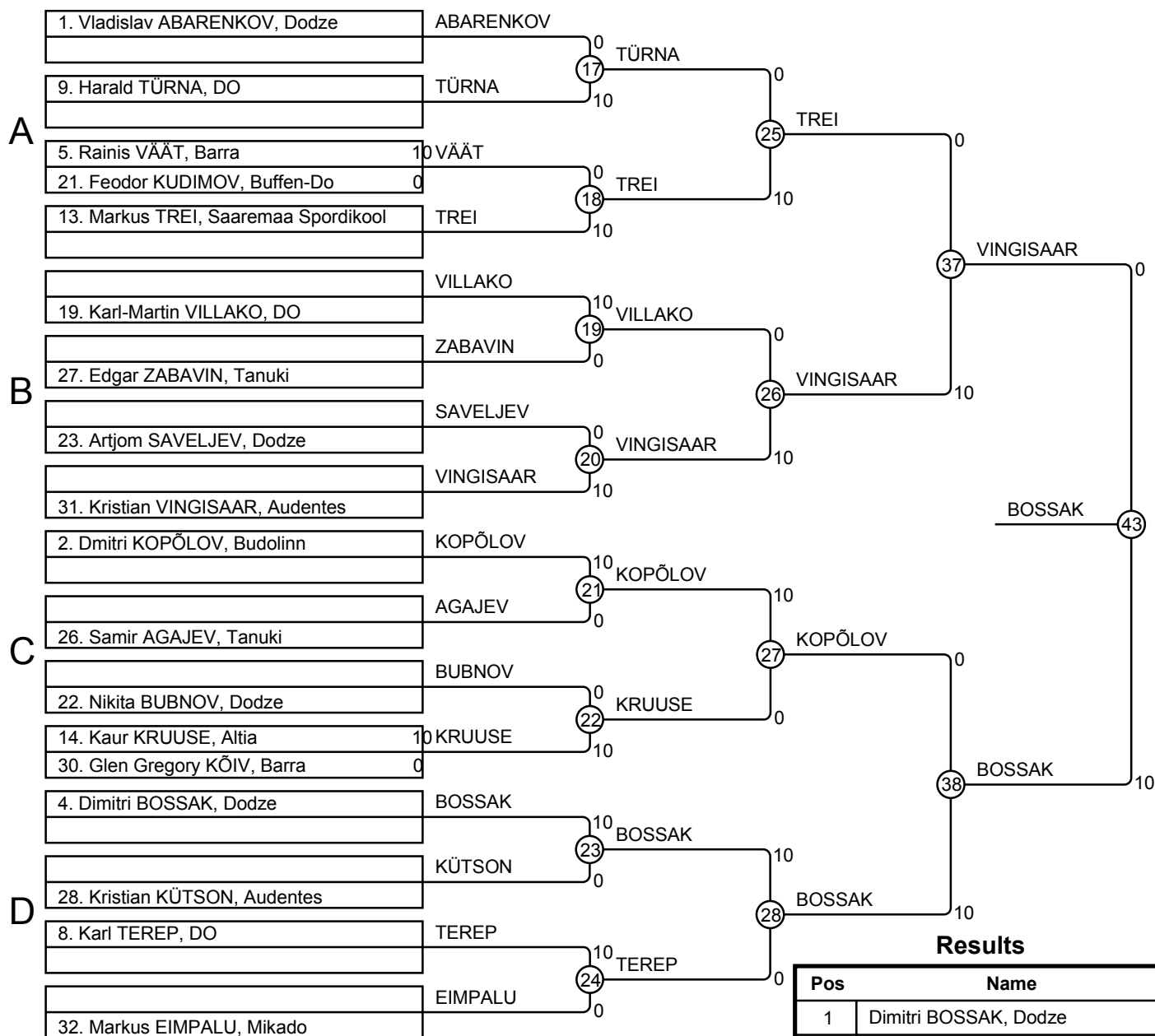
## Results

| Pos | Name                         |
|-----|------------------------------|
| 1   | Artak AZARUMYAN, Audentes    |
| 2   | Kaarel KALEV, Audentes       |
| 3   | Taaniel RUMASK, Audentes     |
| 3   | Bert BERG, DO                |
| 5   | Koit Markus KOTKAS, DO       |
| 5   | Patrik Tobias PINDMA, Ookami |
| 7   | Andris PIIRIKIVI, Zen        |
| 7   | Mihhail NOSANOV, Mikado      |



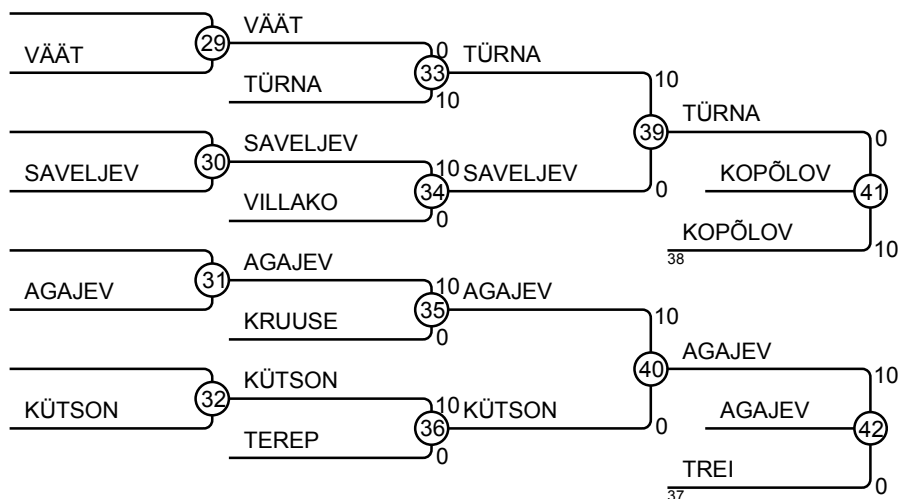
# XIV International Autumn Tournament 08.10.2016 EB-30

Competitors: 18



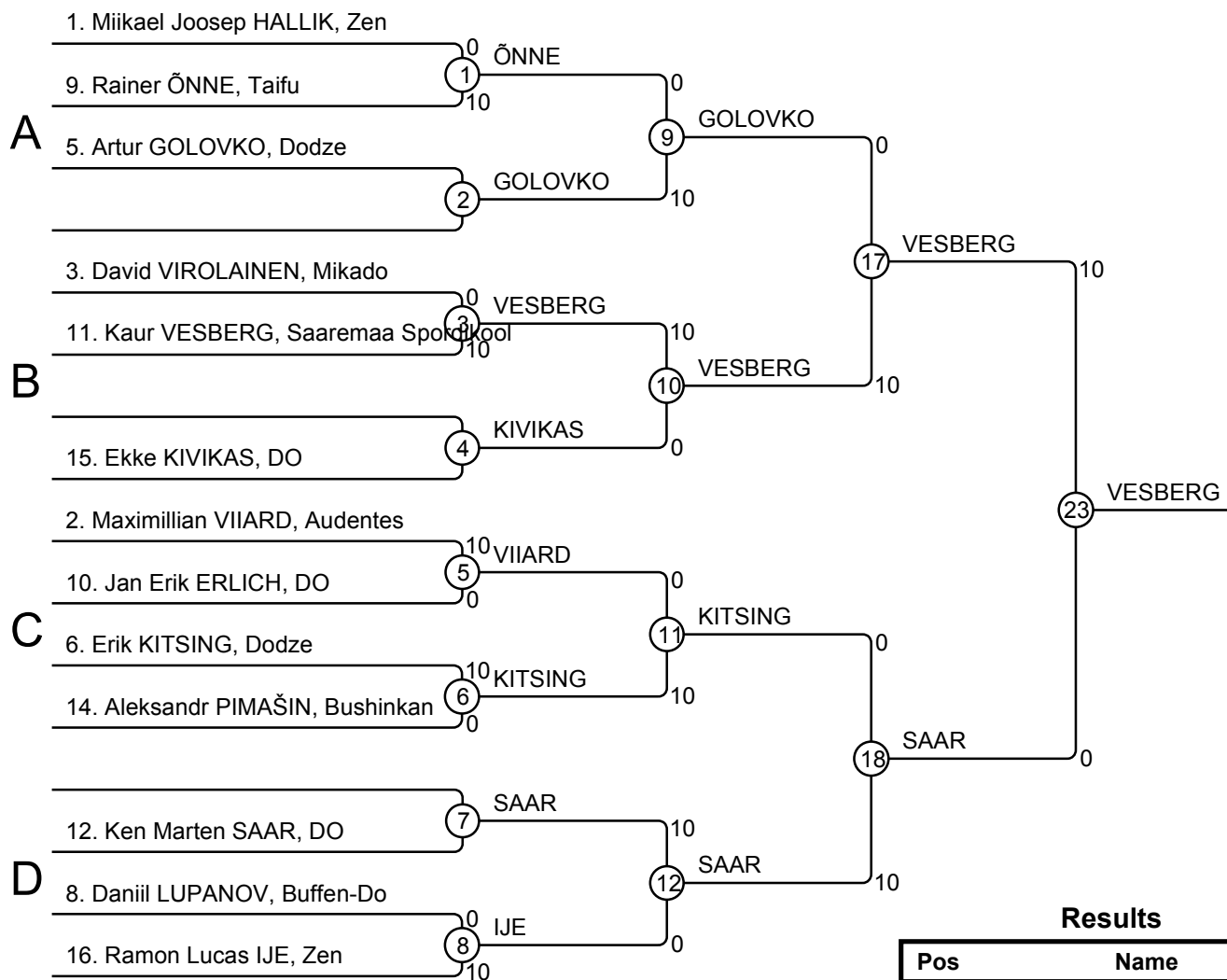
## Results

| Pos | Name                             |
|-----|----------------------------------|
| 1   | Dimitri BOSSAK, Dodze            |
| 2   | Kristian VINGISAAR, Audentes     |
| 3   | Dmitri KOPÕLOV, Budolinn         |
| 3   | Samir AGAJEV, Tanuki             |
| 5   | Harald TÜRNA, DO                 |
| 5   | Markus TREI, Saaremaa Spordikool |
| 7   | Artjom SAVELJEV, Dodze           |
| 7   | Kristian KÛTSON, Audentes        |



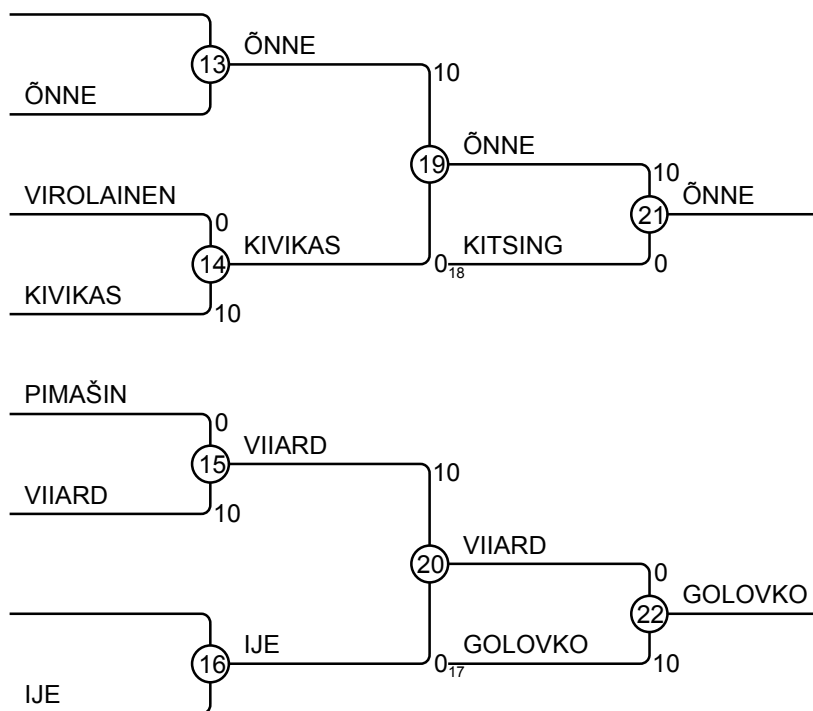
# XIV International Autumn Tournament 08.10.2016 EB-34

Competitors: 13



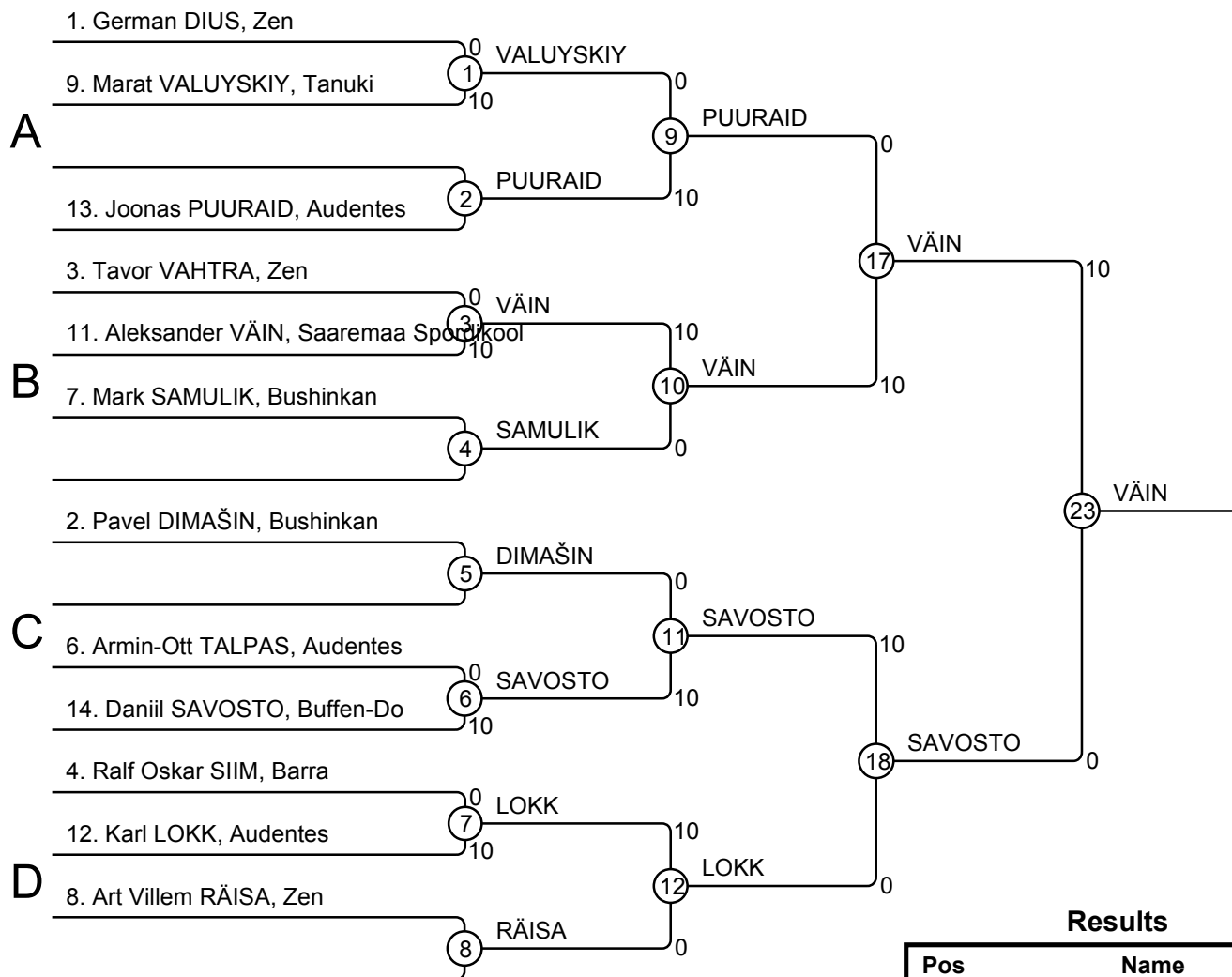
## Results

| Pos | Name                              |
|-----|-----------------------------------|
| 1   | Kaur VESBERG, Saaremaa Spordikool |
| 2   | Ken Marten SAAR, DO               |
| 3   | Rainer ÕNNE, Taifu                |
| 3   | Artur GOLOVKO, Dodze              |
| 5   | Erik KITSING, Dodze               |
| 5   | Maximillian VIIARD, Audentes      |
| 7   | Ekke KIVIKAS, DO                  |
| 7   | Ramon Lucas IJE, Zen              |



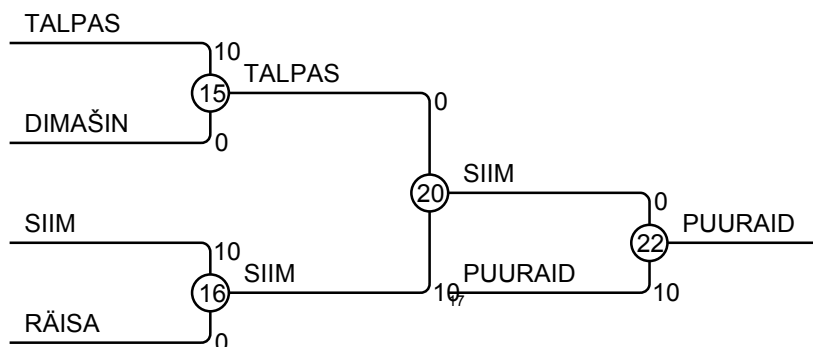
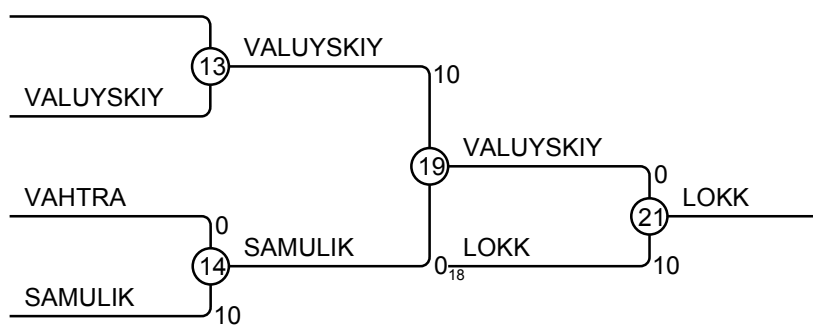
# XIV International Autumn Tournament 08.10.2016 EB-38

Competitors: 12



## Results

| Pos | Name                                 |
|-----|--------------------------------------|
| 1   | Aleksander VÄIN, Saaremaa Spordikool |
| 2   | Daniil SAVOSTO, Buffen-Do            |
| 3   | Karl LOKK, Audentes                  |
| 3   | Joonas PUURAIID, Audentes            |
| 5   | Marat VALUYSKIY, Tanuki              |
| 5   | Ralf Oskar SIIM, Barra               |
| 7   | Mark SAMULIK, Bushinkan              |
| 7   | Armin-Ott TALPAS, Audentes           |



# XIV International Autumn Tournament 08.10.2016 EG +55

Competitors: 2

## Competitors

| # | Name             | Grade | Club  | 1 | 2 | 1 | 2 | 1 | 2 | Wins | Pts | Pos |
|---|------------------|-------|-------|---|---|---|---|---|---|------|-----|-----|
| 1 | Angelina PINTŠUK | ?     | Afina |   |   |   |   |   |   | 0    | 0   | 2   |
| 2 | Emma Melis AKTAS | ?     | Altia | 7 |   | 1 |   |   |   | 2    | 8   | 1   |

## Matches

| Match | White            |   |   | Blue             | Result | Time |
|-------|------------------|---|---|------------------|--------|------|
| 1     | Angelina PINTŠUK | 1 | 2 | Emma Melis AKTAS | 0 - 7  | 0:00 |
| 2     | Angelina PINTŠUK | 1 | 2 | Emma Melis AKTAS | 0 - 1  | 0:00 |
| 3     | Angelina PINTŠUK | 1 | 2 | Emma Melis AKTAS |        |      |

## Results

| Pos | Name                    |
|-----|-------------------------|
| 1   | Emma Melis AKTAS, Altia |
| 2   | Angelina PINTŠUK, Afina |

# XIV International Autumn Tournament 08.10.2016 EG -30

Competitors: 2

## Competitors

| # | Name          | Grade | Club | 1 | 2  | 1  | 2 | 1  | 2 | Wins | Pts | Pos |
|---|---------------|-------|------|---|----|----|---|----|---|------|-----|-----|
| 1 | Lisette ILVES | ?     | DO   |   | 10 |    |   |    |   | 1    | 10  | 2   |
| 2 | Teele LESTAL  | ?     | DO   |   |    | 10 |   | 10 |   | 2    | 20  | 1   |

## Matches

| Match | White         | Blue             | Result | Time |
|-------|---------------|------------------|--------|------|
| 1     | Lisette ILVES | 1 2 Teele LESTAL | 10 - 0 | 0:00 |
| 2     | Lisette ILVES | 1 2 Teele LESTAL | 0 - 10 | 0:00 |
| 3     | Lisette ILVES | 1 2 Teele LESTAL | 0 - 10 | 0:00 |

## Results

| Pos | Name              |
|-----|-------------------|
| 1   | Teele LESTAL, DO  |
| 2   | Lisette ILVES, DO |